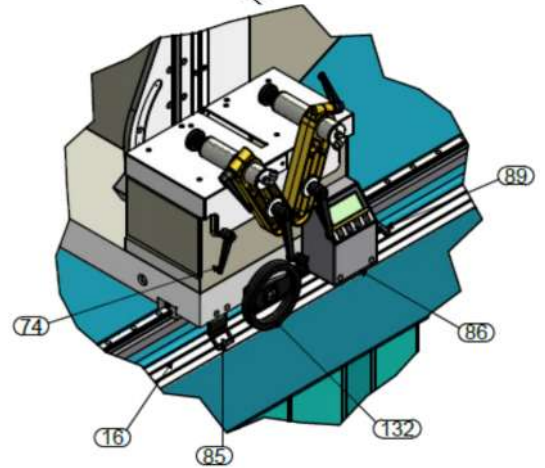
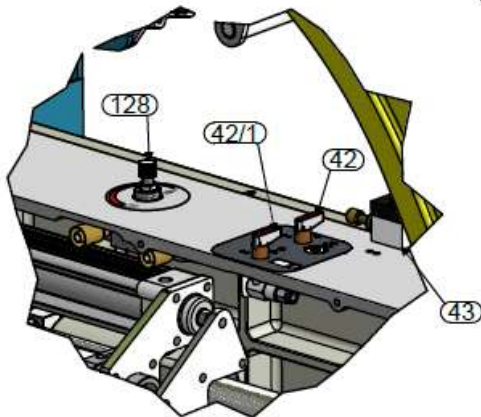
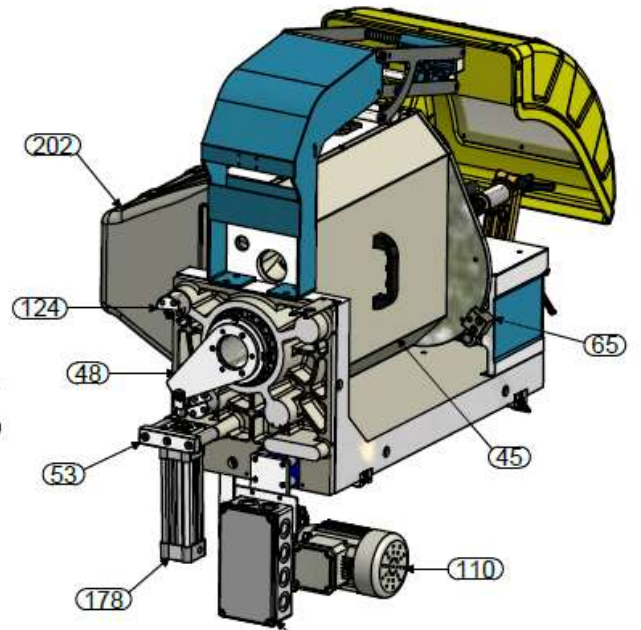
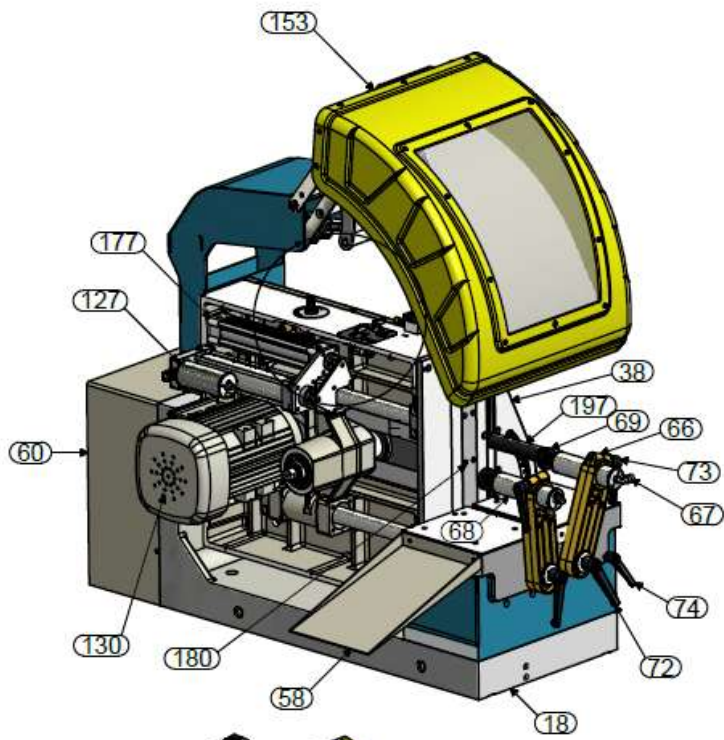
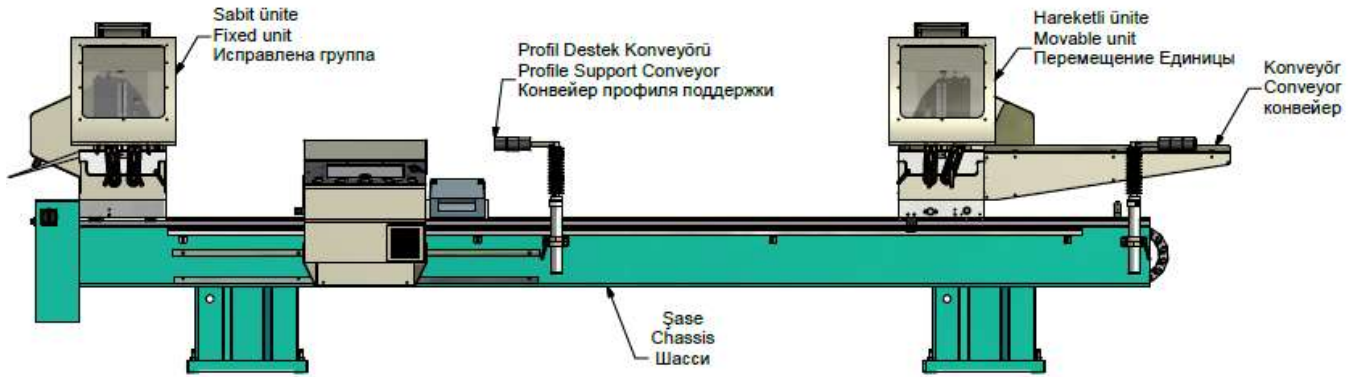
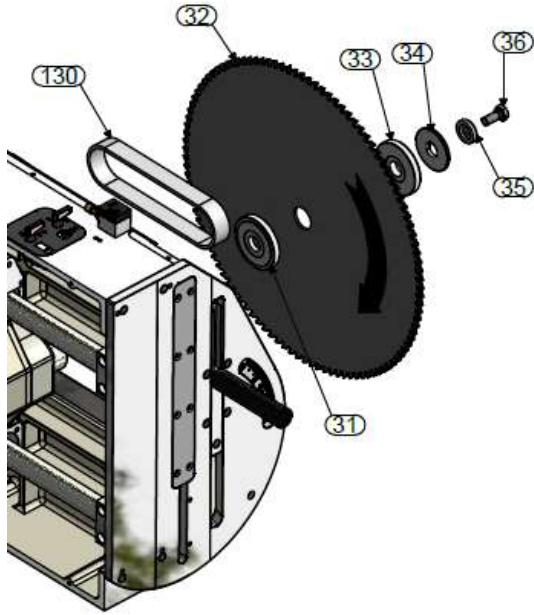


**PARTS LIST**

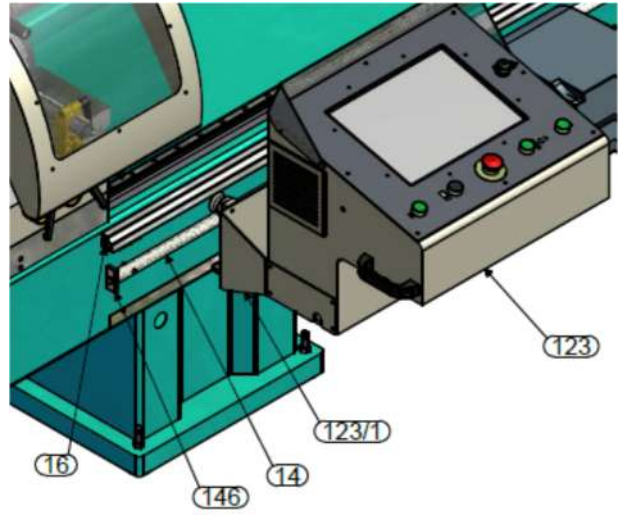


PICTURE-4

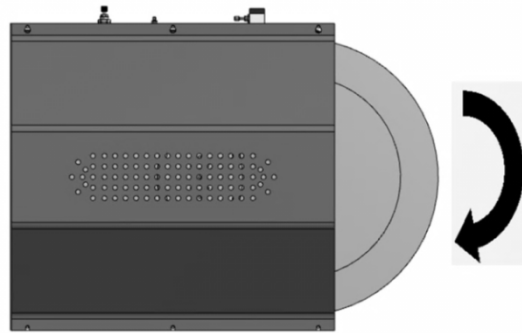
PICTURE-5



PICTURE-6



PICTURE-7



PICTURE-8



NO	CODE	QTY	NO	CODE	QTY
6	1SR080000-0034	4	65	2TU011210-0723	2
14	2TU014010-0182	1	72	3UA060030-0004	4
16	2TU012310-0071	1	74	3UA040030-0021	2
31	2TU011110-0422	2	85	2TU011441-0641	1
33	2TU011110-0423	2	86	2TU012510-0388	1
34	2TU011441-0016	2	<b>110</b>	<b>1EL070001-0011 *</b>	<b>1</b>
35	2TU011110-0203	2	<b>123</b>	<b>1SA020000-0053 **</b>	<b>1</b>
36	1SC021000-0003	2	<b>123/1</b>	<b>2TU011441-0628 *</b>	<b>1</b>
38	2TU011410-0082	1	124	2TU011110-1105	4
202	1PL010000-0060	1	127	3UA050030-0020	2
45	2TU011441-0643	1	130	1EL070001-0001	2
48	2TU011441-0637	2	132	3UA690030-0125	1
53	2TU011210-0303	2	153	1PL010000-0061	2
177	1PN020000-0172	2	146	2TU011210-0087	2
58	1SA050000-0228	1			
60	1SA030000-0080	1			

\*ZIGMA-02 A

\*\* ZIGMA-02 AP

SPARE PARTS LIST			
PART NO	PICTURE	CODE	PART NAME
66		2TU012610-0044	CLAMP PISTON BRACKET
68		3UA060030-0004	PNEUMATIC CLAMP
67		1PN140000-0005	1/8-6 FITTING
73		3UA040030-0007	M8x32 HANDLE
72		3UA040030-0001	M12*60 HANDLE
74		3UA040030-0021	M12*35 HANDLE
32		1SK010000-0046	Ø 550 (22") SAW BLADE
130		1SR070000-0015	MOTOR BELT PJ483*24,5

43		1PN010000-0012	MIST SPRAY VALVE
180		2TU011441-0014	SAW CHUTE PLATE
69		1PL010000-0033	CLAMP TIP
130		1EL070001-0002 220V-440V (3P 60 Hz)	MOTOR
132		2TU010010-0011	HAND WHEEL
		1EL200000-0124	PISTON TOP SENSOR