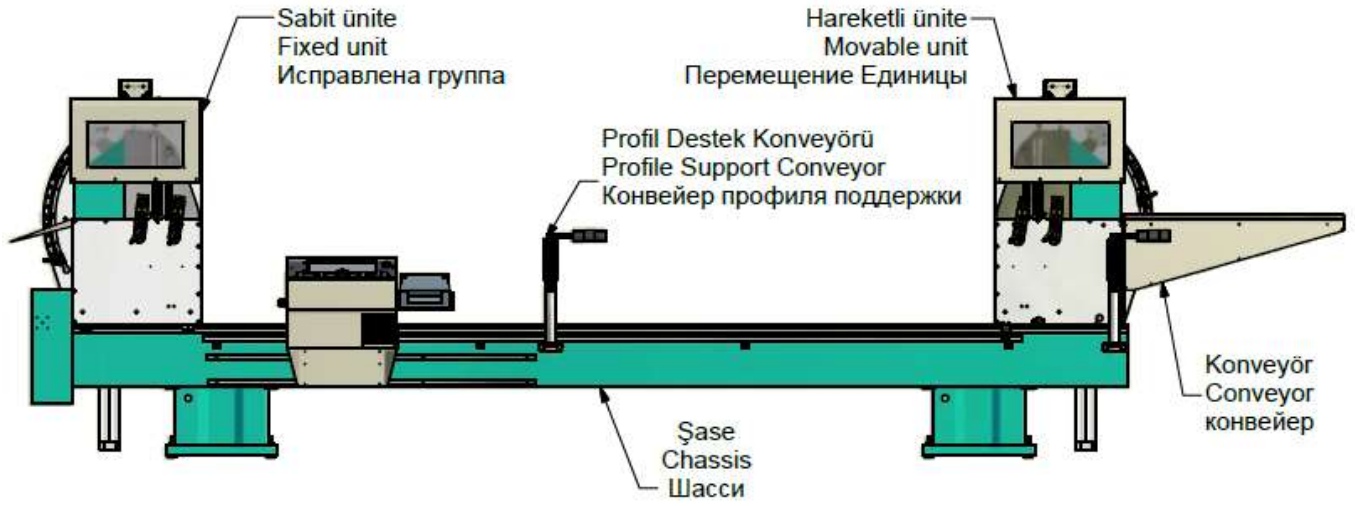
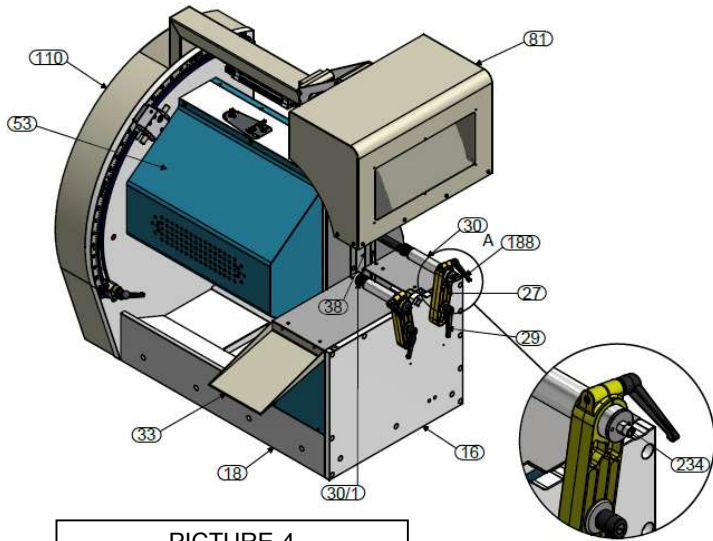


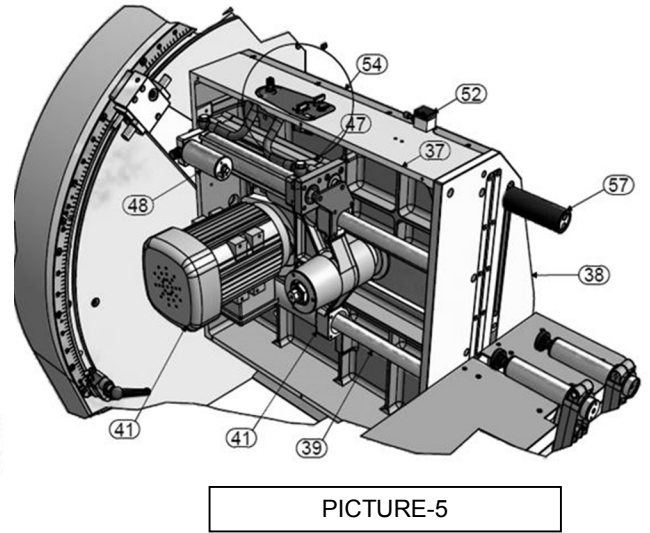
PARTS LIST



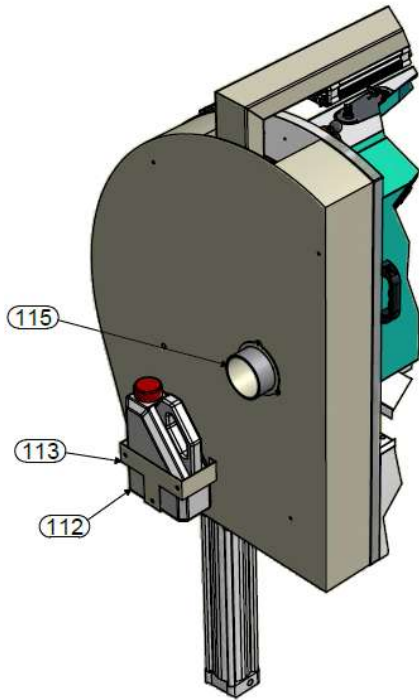
PICTURE-3



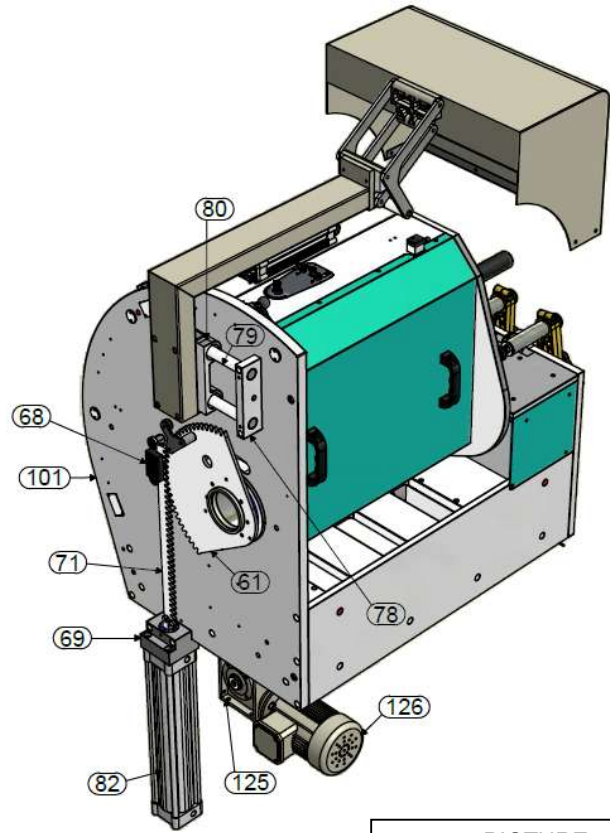
PICTURE-4



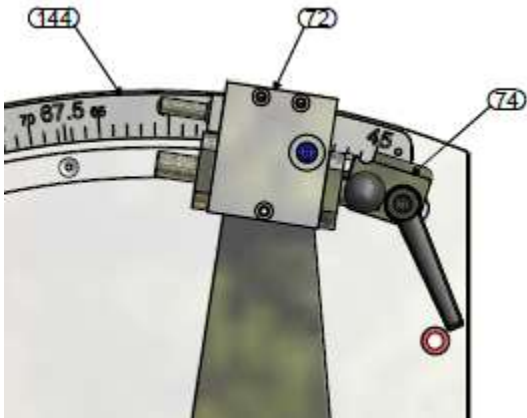
PICTURE-5



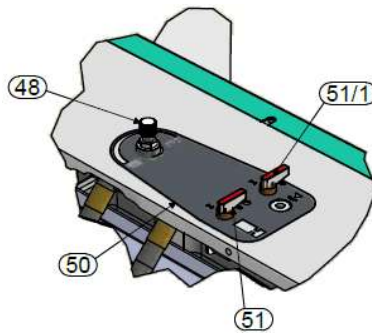
PICTURE-6



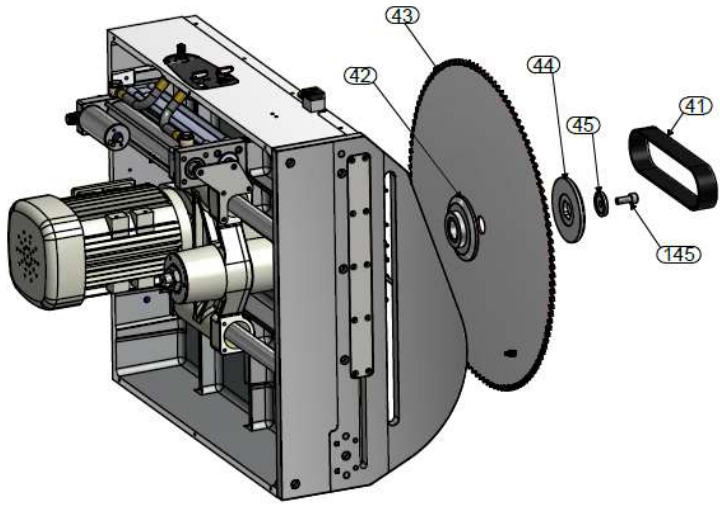
PICTURE-7



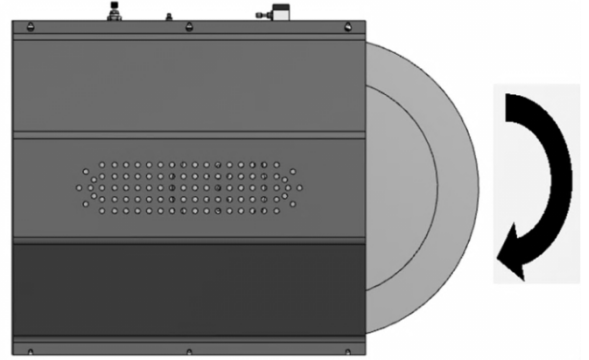
PICTURE-8



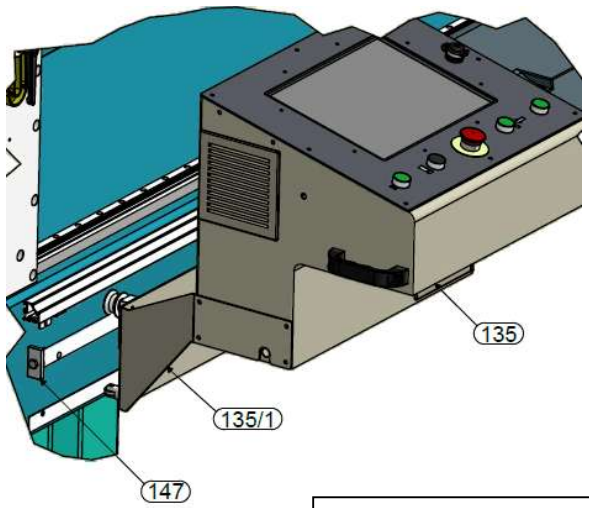
PICTURE-9



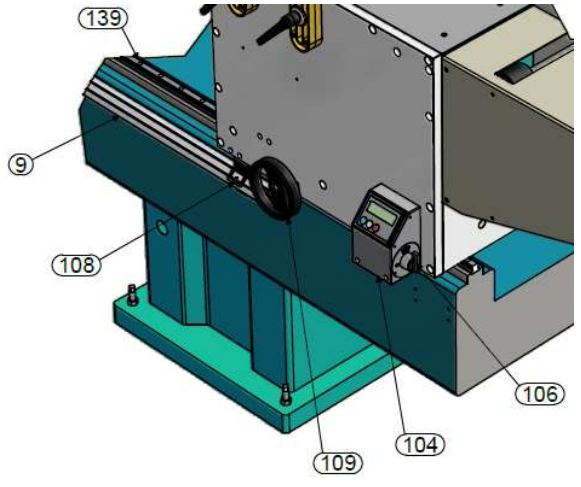
PICTURE-10



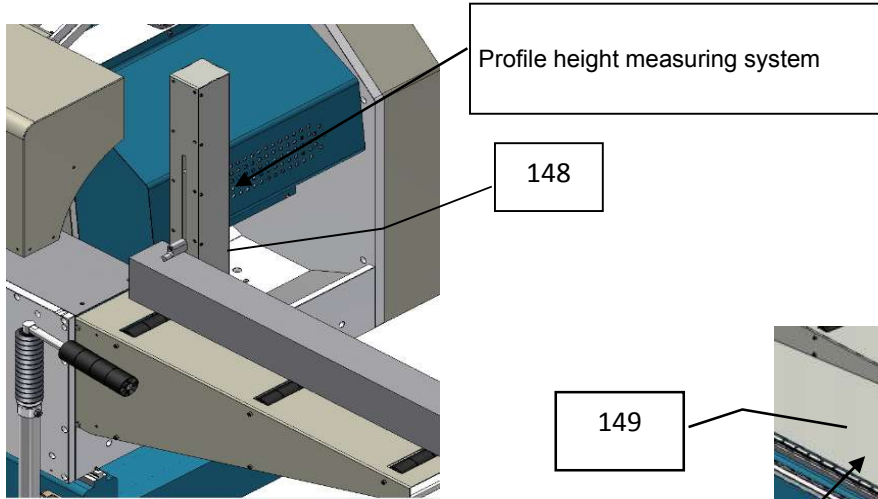
PICTURE-11



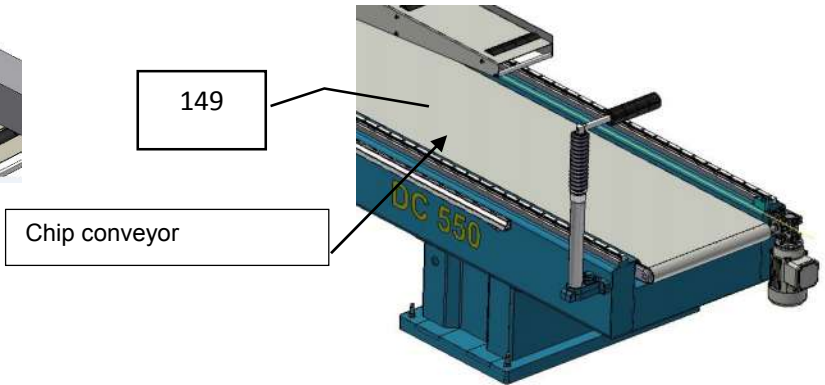
PICTURE-12



PICTURE-13



PICTURE-14



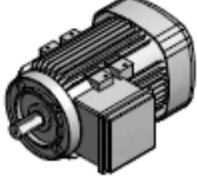
PICTURE-15



NO	CODE	QTY	NO	CODE	QTY
9	3UA670060-0001	1	50	2ET022441-0053	1
16	2TU012410-0118/0119	1	51	1PN130000-0014	2
18	2TU012410-0120	2	52	1PN010000-0012	2
23	2TU011441-0682/0683	1	53	1SA030000-0070	2
29	3UA04030-0001	4	57	3UA670030-0320	2
33	1SA050000-0213	1	68	2TU013210-0079	2
38	2TU011410-0073/0074	1	69	2TU012210-0649	2
39	2TU015010-0073	4	71	2TU011441-0462	2
41	1EL070001-0006	2	72	3UA680030-0006	2
42	2TU011110-0983	2	74	3UA680030-0005	2
43	1SK010000-0046	2	78	2TU012210-0646	4
44	2TU011110-0983	2	79	2TU015010-0072	4
45	2TU011110-0986	2	80	2TU012510-0356	2
47	1PN020000-0178	2	81	1SA030000-0069	2
48	3UA670030-0013/0005	1	82	1PN020000-0144	2
80	2TU012510-0356	2	113	2TU011410-0014	2
81	1SA030000-0069	2	115	3UA670030-0001	2
82	1PN020000-0144	2	125	1EL070030-0007	1
101	2TU012410-0114/0115	1	126	1EL070001-0010	1
104	2TU012510-0388	1	135	1SA020000-0053	1
106	3UA690030-0113	1	135/1	2TU011441-0684	1
108	2TU011441-0641	1	139	1SR080000-0121	2
109	2TU012010-0004	1	144	2TU011441-0724/0725	1
110	1SA030000-0071 /0072	1	145	1SC021000-0003	2
112	1PL010000-0020	2	147	2TU011210-0087	2
148	3UA670030-0331	1	149	1HM010000-0002	1

SPARE PARTS LIST			
PART NO	PICTURE	CODE	PART NAME
27		2TU012610-0044	CLAMP PISTON BRACKET
30		3UA060030-0013	PNEUMATIC CLAMP
224		1PN140000-0005	1/8-6 FITTING
188		3UA040030-0007	M8x32 HANDLE
29		3UA040030-0001	M12*60 HANDLE
43		1SK010000-0046	Ø 550 (22") SAW BLADE
52		1PN010000-0012	MIST SPRAY VALVE
38		2TU011441-0014	SAW CHUTE PLATE
41		1SR070000-0005	MOTOR BELT
30/1		1PL010000-0033	CLAMP TIP



41	 A technical illustration of a three-phase motor, showing its cylindrical body with cooling fins and a terminal box on the side.	1EL070001-0006 220V-440V (3P 60 Hz)	MOTOR
----	---	---	-------