

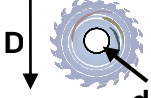

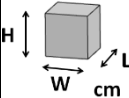






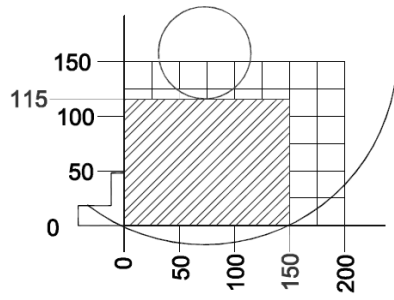
**KD 350-400 D**  
**KD 350-400 P**  
**KD 350-400 PS**

**KD 350-400 M**

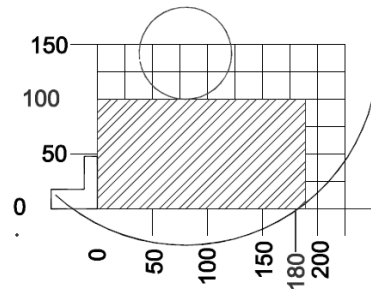
**TEKNİK ÖZELLİKLER - TECHNICAL FEATURES - ТЕХНИЧЕСКИЕ ОСОБЕННОСТИ**

									
						kg	kg		
<b>KD 350 M</b>	2.2 kW 50 Hz 400V AC 3P PE	2.2 kW 50 Hz 230V AC P N PE	3000 dev/dak. RPM	D = 350 mm d = 30 / 32 mm	--	--	W = 72 L = 65 H = 71	70	84
<b>KD 350 D</b>	2.2 kW 50 Hz 400V AC 3P PE	2.2 kW 50 Hz 230V AC P N PE	3000 dev/dak. RPM	D = 350 mm d = 30 / 32 mm	--	--	W = 72 L = 65 H = 160	112	151
<b>KD 350 P</b>	2.2 kW 50 Hz 400V AC 3P PE	2.2 kW 50 Hz 230V AC P N PE	3000 dev/dak. RPM	D = 350 mm d = 30 / 32 mm	6-8 BAR	7 Lt/dak. Lt/min.	W = 72 L = 65 H = 160	115	154
<b>KD 400 M</b>	2.2 kW 50 Hz 400V AC 3P PE	2.2 kW 50 Hz 230V AC P N PE	3000 dev/dak. RPM	D = 400 mm d = 30 / 32 mm	--	--	W = 72 L = 65 H = 71	71	86
<b>KD 400 D</b>	2.2 kW 50 Hz 400V AC 3P PE	2.2 kW 50 Hz 230V AC P N PE	3000 dev/dak. RPM	D = 400 mm d = 30 / 32 mm	--	--	W = 72 L = 65 H = 160	115	154
<b>KD 400 P</b>	2.2 kW 50 Hz 400V AC 3P PE	2.2 kW 50 Hz 230V AC P N PE	3000 dev/dak. RPM	D = 400 mm d = 30 / 32 mm	6-8 BAR	7 Lt/dak. Lt/min.	W = 72 L = 65 H = 160	120	159

**KESME DİYAGRAMI – CUTTING DIAGRAM – ДИАГРАММА ВЫПИЛИВАНИЯ**

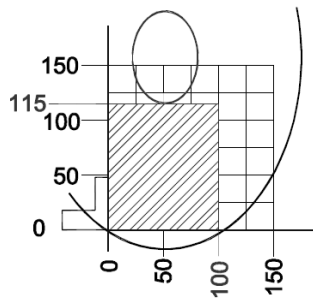


90° : 150 x 115 mm

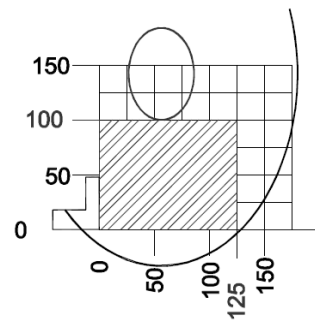


90° : 180 x 100 mm

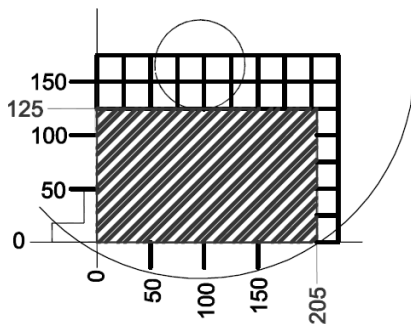
**KD 350 M/D/P**



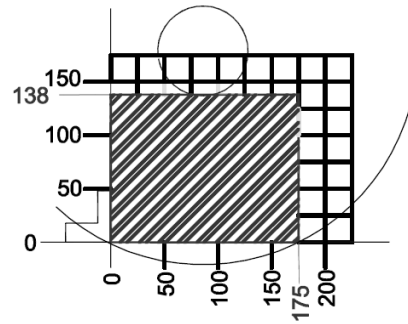
45° : 100 x 115 mm



45° : 125 x 100 mm

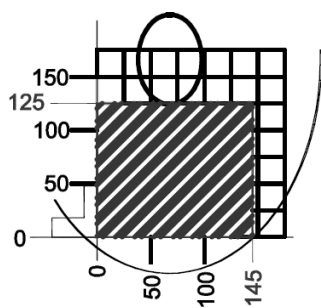


90° : 205 x 125 mm

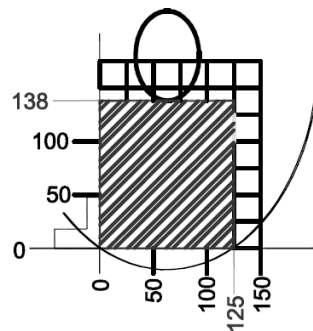


90° : 175 x 138 mm

**KD 400 M/D/P**

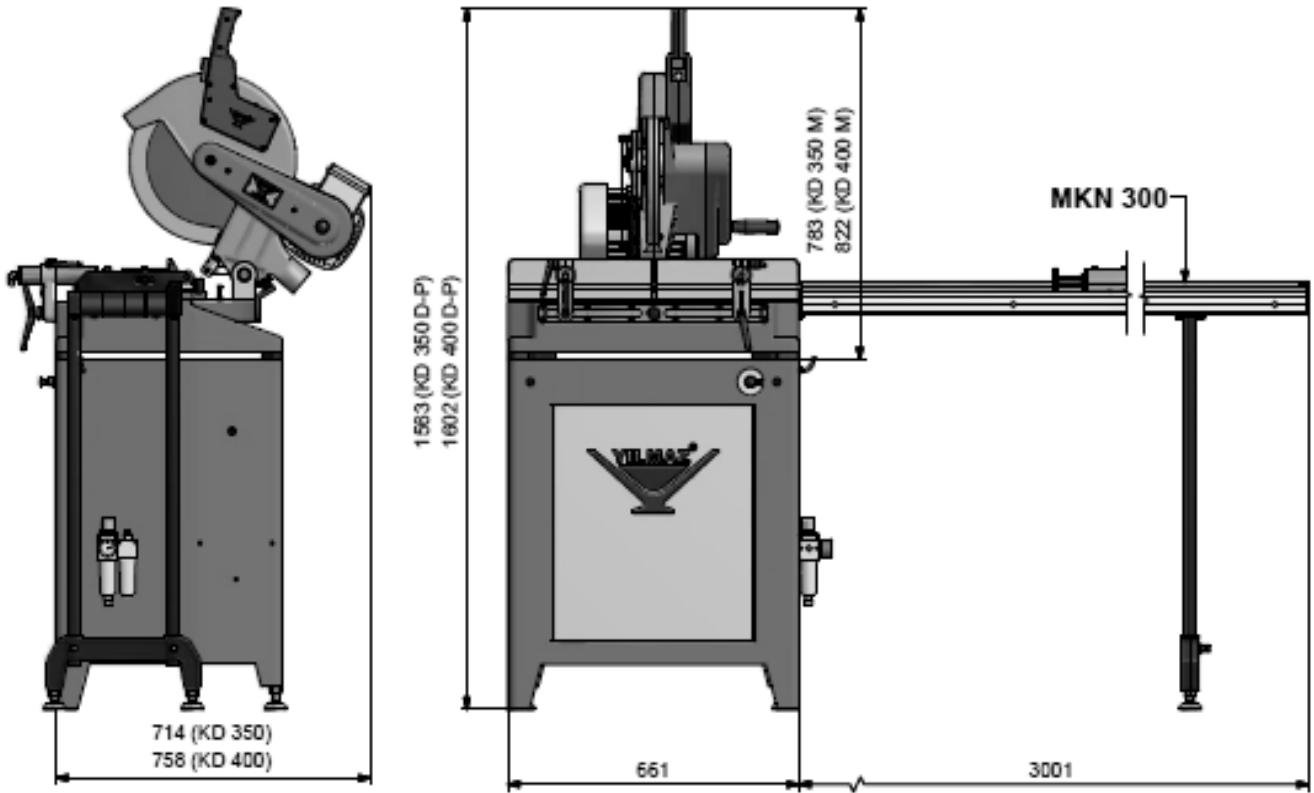


45° : 145 x 125 mm



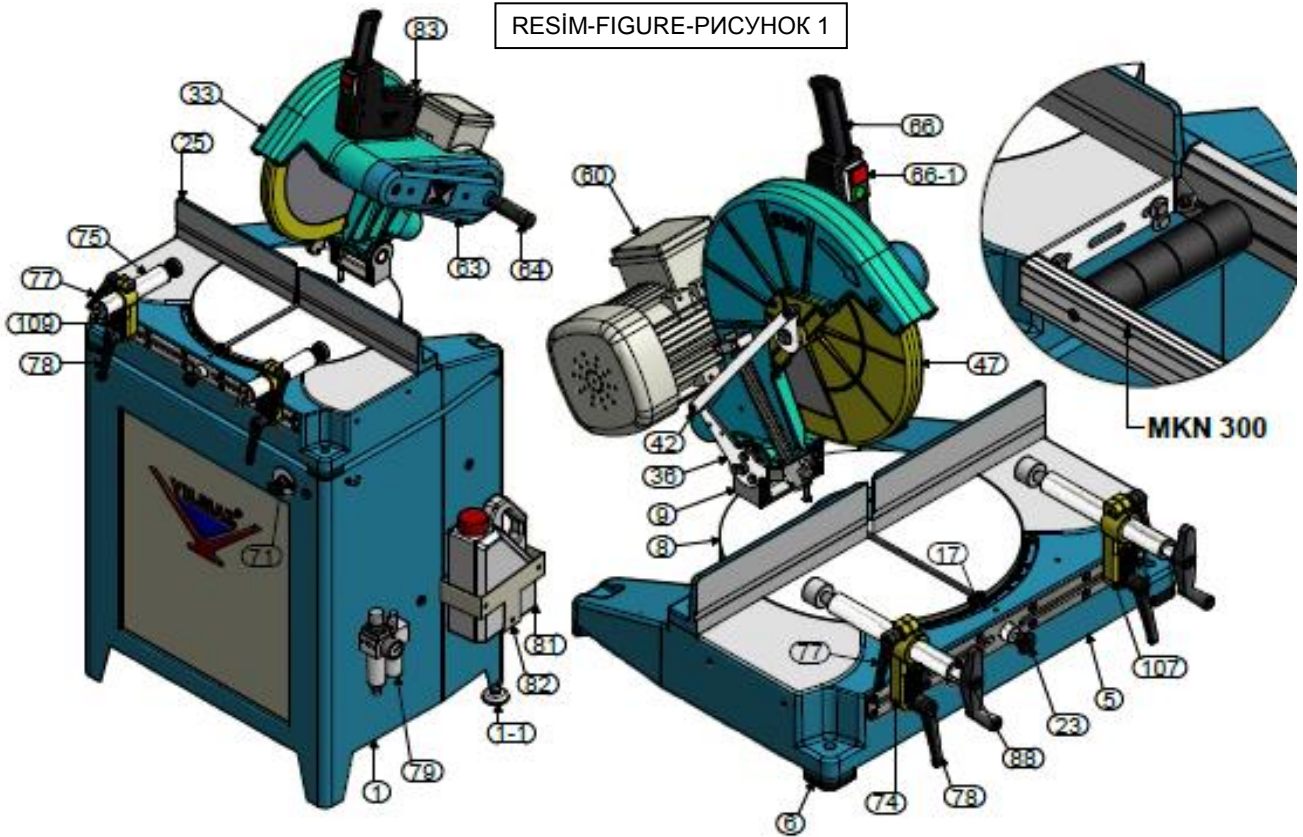
45° : 125 x 138 mm

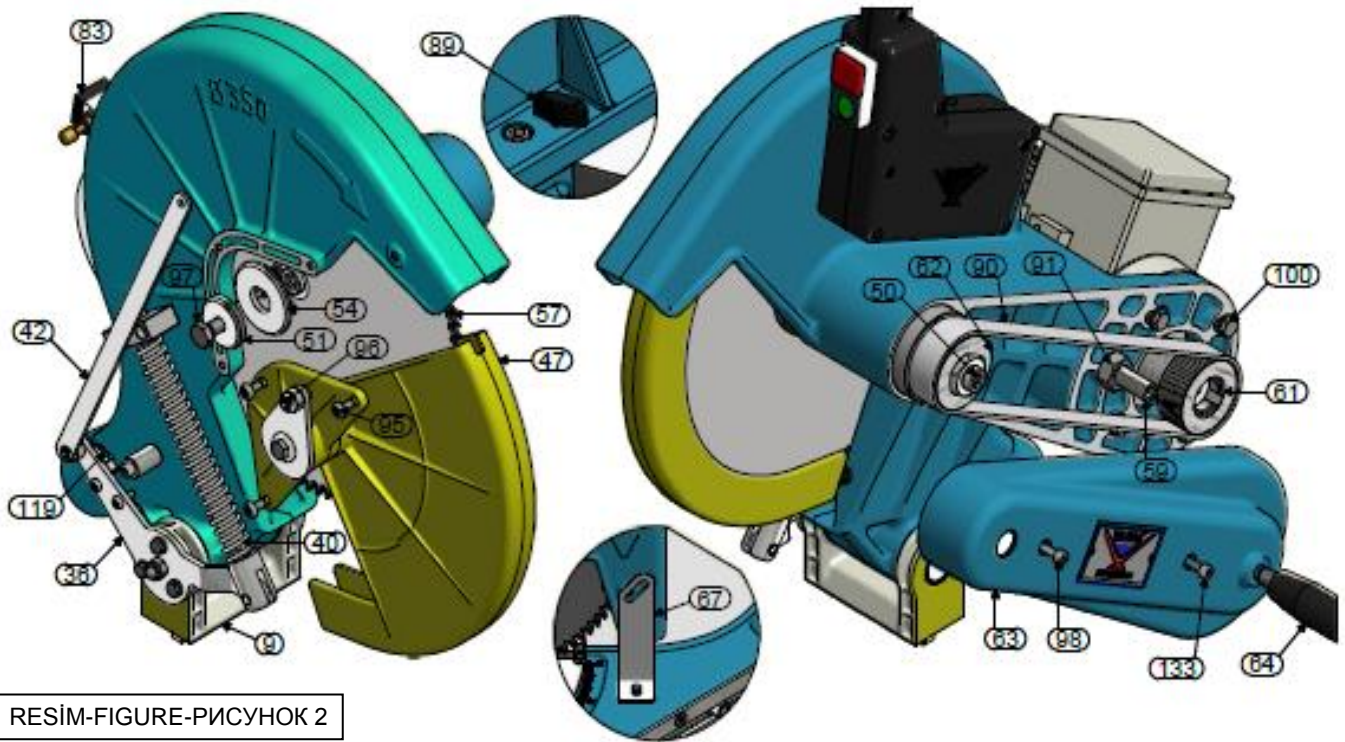
BOYUTLAR – DIMENSIONS – РАЗМЕРЫ



PARÇA LİSTESİ - PART LIST - ПЕРЕЧЕНЬ ДЕТАЛЕЙ

RESİM-FIGURE-РИСУНОК 1



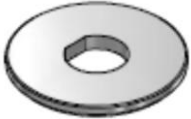

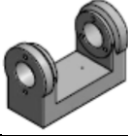
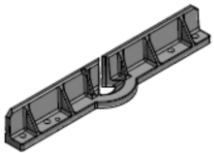

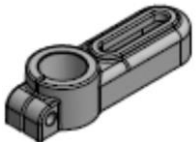





RESİM-FIGURE-РИСУНОК 2

NO номер	СТОК КОДУ / CODE ПОРЯДОК КОД	АДЕТ / QTY КОЛИЧЕСТВО	NO номер	СТОК КОДУ / CODE ПОРЯДОК КОД	АДЕТ / QTY КОЛИЧЕСТВО
1	1SA010000-0060	1	57	1SK010000-0003 (KD 350)	1
5	2TU012610-0094	1	57	1SK010000-0004 (KD 400)	1
6	1PL030000-0017	2	59	2TU011110-1018	1
8	2TU011610-0009	1	60	1EL070001-0002 (230 V)	1
9	2TU012610-0102	1	60	1EL070001-0001 (400 V)	1
17	2TU011441-0043	1	61	2TU012110-0029	1
23	3UA030030-0003	1	62	2TU012110-0030	1
25	2TU012610-0100	1	63	2TU012610-0097 (KD 350)	1
33	2TU012710-0007 (KD 350)	1	63	2TU012610-0099 (KD 400)	1
33	2TU012710-0008 (KD 400)	1	64	1PL010000-0076	1
36	2TU011441-0905 (KD 350)	1	66	1PL010000-0042	1
36	2TU011441-0906 (KD 400)	1	66-1	1EL010000-0080	1
40	1YY011000-0023 (KD 350)	1	67	2TU011441-0305	1
40	1YY011000-0025 (KD 400)	1	71	1PN010000-0087	1
42	2TU011210-0073 (KD 350)	1	74	2TU012610-0010	1
42	2TU011210-0100 (KD 400)	1	75	3UA060030-0013	2
47	2TU012610-0096 (KD 350)	1	77	3UA040030-0007	2
47	2TU012610-0098 (KD 400)	1	78	3UA040030-0002	2
50	2TU011110-0135	1	79	3UA110030-0020	1
51	2TU011110-0857	1	83	1PN010000-0012	1
54	2TU011441-0016	1	86	4UN300030-0001	1
87	2TU012610-0009	2			
88	3UA090030-0008	2			
89	2TU011110-0145	1			
90	1SR070000-0007 (KD 350)	1			
90	1SR070000-0006 (KD 400)	1			
91	1SC071000-0005	1			
95	1SC041000-0014	3			
96	1SC131000-0006	2			
97	1SC011000-0002	1			

98	1SC0210000-0050	5		
100	1SC011000-0036	4		
107	2TU012610-0053	1		
107	2TU012610-0010	1		
119	1PN010000-0157	1		

**YEDEK PARA LİSTESİ / SPARE PART LIST / СПИСОК ЗАПАСНЫХ ЧАСТЕЙ**

<b>PARA NO PART NO НОМЕР</b>	<b>RESİM PICTURE РИСУНОК</b>	<b>STOK KODU / CODE ПОРЯДОК КОД</b>	<b>PARA ADI – PART NAME НАИМЕНОВАНИЕ ДЕТАЛИ</b>
54		2TU011441-0016	DIŐ KAPLIN COUPLIN
		2TU011710-0006	TESTERE KAPLINİ SAW COUPLIN
9		3UA320030-0002	ATAL CLEVIS
25		2TU012610-0100	GÖNYE SETSQUARE
47		3UA320030-0014 (KD 350) 3UA410030-0014 (KD 400)	TESTERE MUHAFAZASI SAW GUARD
74		2TU012610-0009 / 0053 (KD 350-400 M/D) 2TU012610-0010 / 0054 (KD 350-400 P/PS)	MENGENE YATAĐI CLAMP MOUNTING BRACKET
75		3UA060030-0013 (KD 350-400 P/PS)	PNÖMATİK MENGENE PNEUMATIC CLAMP
88		3UA090030-0008 (KD 350-400 M/D)	MEKANİK MENGENE MECHANIC CLAMP
77		3UA040030-0007	M8x32 PİPO M8x32 HANDLE

78		3UA040030-0002	M10*50 PİPO M12*60 HANDLE
43		1SK010000-0003 (KD 350) 1SK010000-0004 (KD 400)	Ø 350 / 400 TESTERE BIÇAĞI Ø 350 / 400 SAW BLADE
83		1PN010000-0012 (KD 350-400 PS)	SPRAYER SU PÜSKÜRTME VALF WATER SPRAY VALVE
		1SR010000-0005	6204 RULMAN 6204 BEARING
90		1SR070000-0007 (KD 350) 1SR070000-0006 (KD 400)	MOTOR KAYIŞI MOTOR BELT
75-1		1PL010000-0033	MENGENE PABUCU CLAMP FEET
66		1PL010000-0042	KOL HANDLE
66-1		1EL090000-0017	ŞALTER SWITCH
60		1EL070001-0002 (230V-1P 50 Hz) 1EL070001-0017 (240V-1P 50 Hz) 1EL070001-0019 (220V-1P 60 Hz) 1EL070001-0001 (400V-415V 3P 50 Hz) (440V-3P 60 Hz)	MOTOR MOTOR
79		3UA110030-0020	ŞARTLANDIRICI LUBRICATOR
119		1PN0140000-0157	AZ 431 MP VALF AZ 431 MP VALVE

