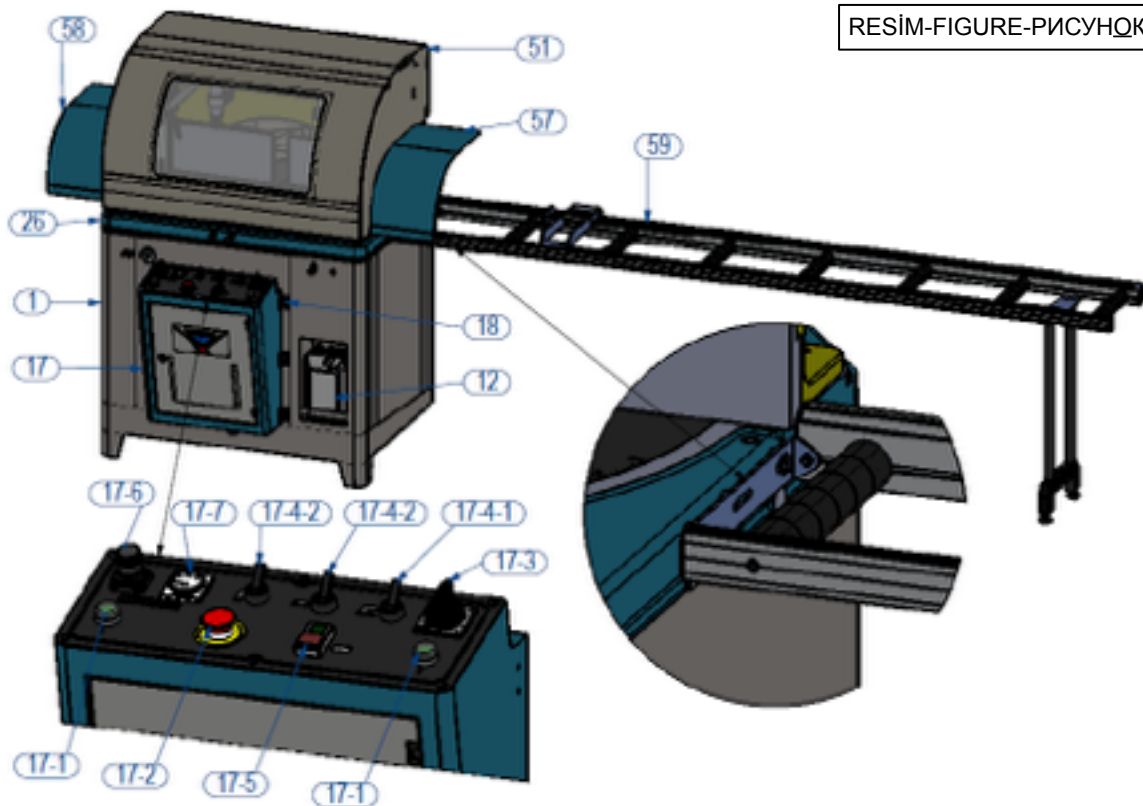
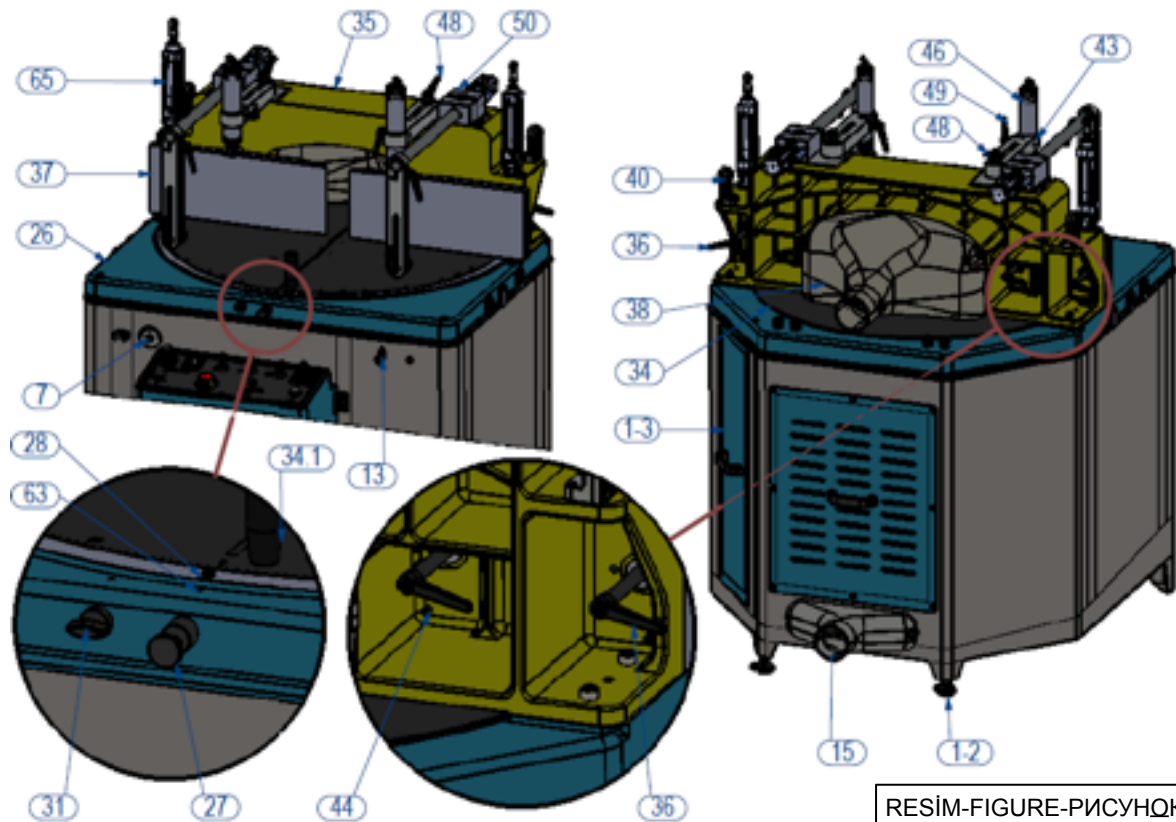


## PARTS LIST

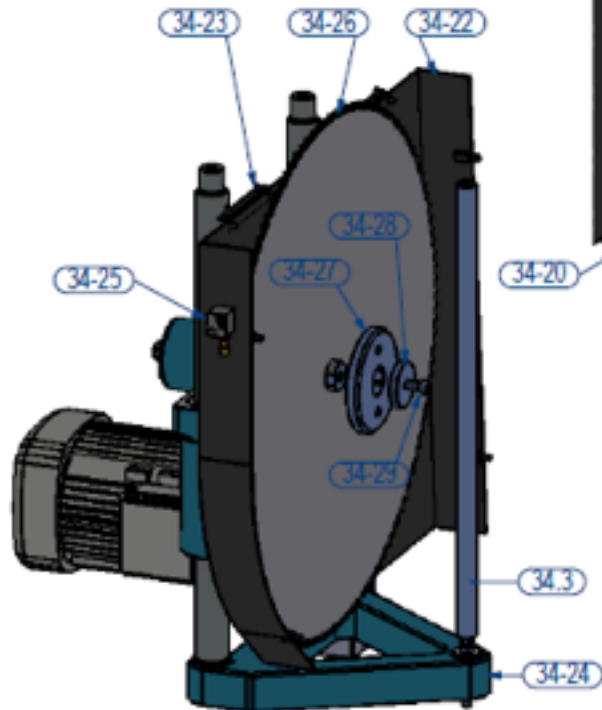
RESİM-FIGURE-РИСУНОК 1



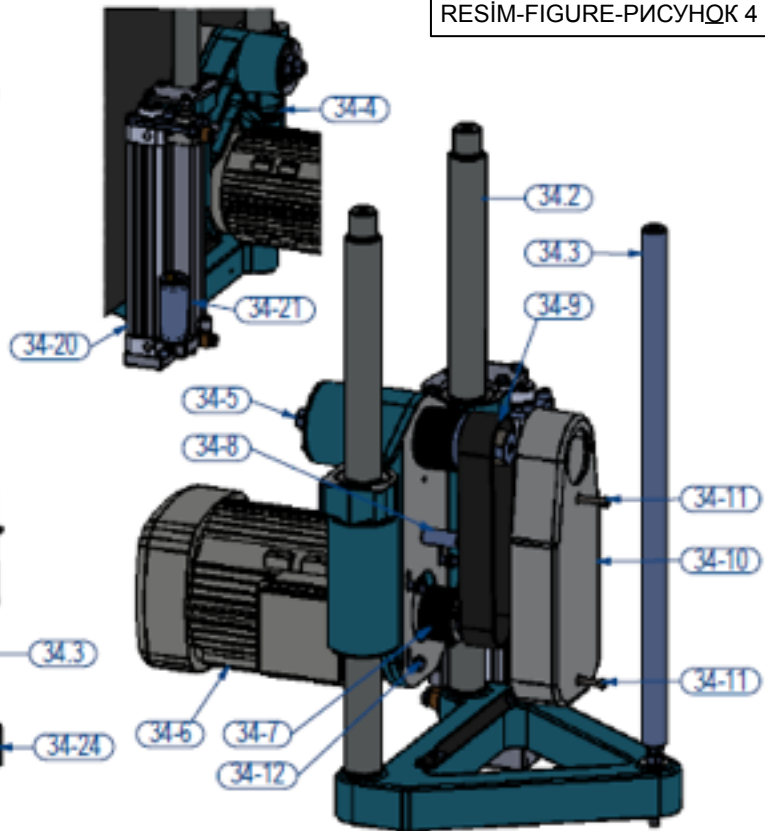


RESİM-FIGURE-РИСУНОК 2

RESİM-FIGURE-PICTURE 3



RESİM-FIGURE-PICTURE 4



<b>NO</b>	<b>STOCK CODE</b>	<b>QTY</b>	<b>NO</b>	<b>STOCK CODE</b>	<b>QTY</b>
1	1SA970000-0001-1	1	34-2	2TU015010-0223	2
7	1HD050000-0001	1	34-3	2TU011110-1608	1
12	1PL010000-0019	1	34-4	2TU012510-0588	1
13	1PN130000-0007	1	34-5	2TU011110-1603	1
15	2TU012510-0584	1	34-6	1EL070001-0005	1
17	1SA040000-0024	1	34-7	2TU012110-1079	1
17-1	1EL090000-0003	2	34-8	2TU011110-1606	1
17-2	1EL090000-0001	1	34-9	1SR070000-0032	1
17-3	1EL010000-0033	1	34-10	2TU012510-0590	1
17-4	1PN010000-0055	3	34-11	1SC021000-0020	2
17-5	1EL090000-0017	1	34-12	1SC011000-0019	4
17-6	1PN020000-0102	1	34-20	1PN020000-0307	1
17-7	1PN080000-0006	1	34-21	3UA050030-0025	1

18	1SC140000-0002	3	34-22	1SA970000-0001-2	1
26	2TU012550-0585	1	34-23	1SC021000-0064	12
27	3UA030030-0005	1	34-24	2TU012510-0589	1
28	2TU011441-0017	1	34-25	1PN010000-0012	1
31	2TU011110-0144	1	34-26	1SK010000-0089	1
34	2TU011610-0027	1	34-27	2TU011110-1605	1
31-1	1PL010000-0103	1	34-28	2TU011110-1607	1
34-29	1SC021000-0004	1			
35	2TU012510-0550-0	1			
36	3UA040030-0011	4			
37	2TU012410-0447	2			
38	2TU012510-0587	1			
40	2TU012710-0009	2			
44	1SC151000-0007	8			
45	2TU012210-1751	2			

46	2TU011510-0095	1			
48	2TU012610-0036	2			
49	2TU012610-0037	2			
50	3UA970030-0003	2			
57	1SA970000-0001-6	1			
58	1SA970000-0001-7	1			
59	4UN300030-0003	1			
63	1SC151000-0003	2			
65	1PN020000-0305	2			

**SPARE PARTS LIST**

PART NO	FIGURE	CODE	PART NAME
		1EL020000-0005	GUARD SWITCH
		1EL020000-0025	GUARD SWITCH (CE)
		1EL090000-0017	SWITCH
		1EL090000-0001	XB4-BS8442 EMERGENCY STOP BUTTON



		<p>1PN010000-0051</p>	<p>CLAMP TRIGGER SWITCH</p>
		<p>1EL090000-0009</p>	<p>START BUTTON</p>
		<p>1EL010000-0046</p>	<p>MAIN SWITCH</p>
		<p>2TU012410-0447</p>	<p>MOVABLE FENCE</p>



		<p>2TU012210-1751</p>	<p>CLAMP MOUNTING BRACKET</p>
		<p>3UA046030-0019</p>	<p>PNEUMATIC CLAMP</p>
		<p>1PN020000-0307</p>	<p>PISTON (DMC-A 50x280)</p>
		<p>3UA050030-0025</p>	<p>HYDROCONTROL UNIT</p>
		<p>1PN020000-0305</p>	<p>PISTON (DMC-A 32x95)</p>

	<p>3UA110030-0020</p>	<p>AIR CONDITIONER</p>
	<p>1PN010000-0012</p>	<p>SPRAY MIST VALVE</p>
	<p>1PN140000-0005</p>	<p>1/8-6 FITTING</p>
	<p>1EL070001-0005</p>	<p>MOTOR (4 kW)</p>
	<p>1SR070000-0032</p>	<p>MOTOR BELT</p>

		1SK010000-0089	SAW BLADE
		1SC140000-0006	HINGE
		3UA040030-0001	M12*60 HANDLE
		3UA040030-0023	M8*50 HANDLE

		3UA030030-0005	ANGLE LOCK PIN
		1PL040000-0069	GUARD GLASS