

PARTS LIST

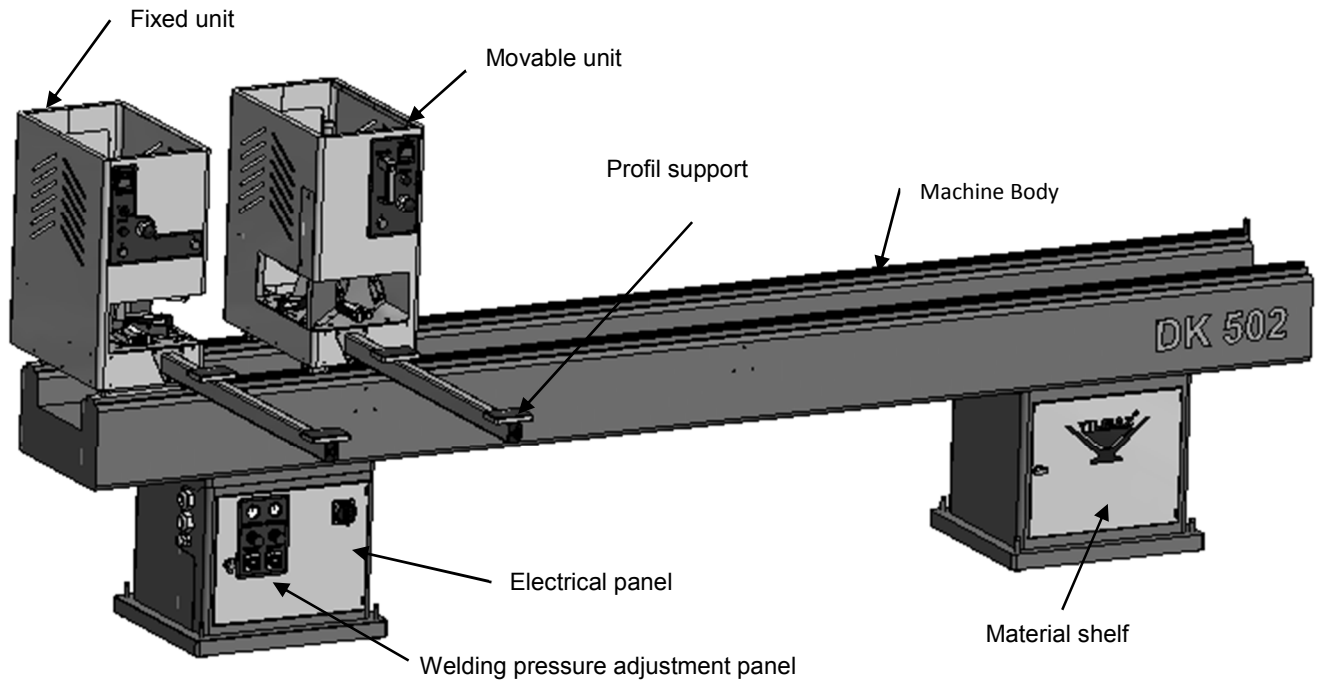
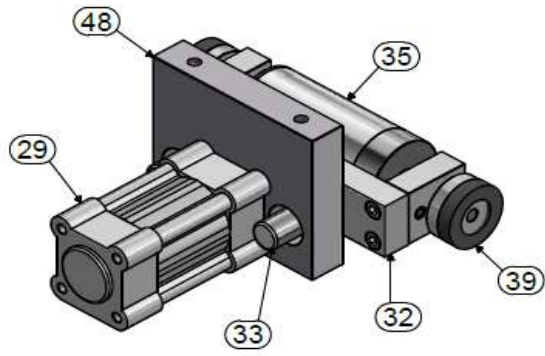
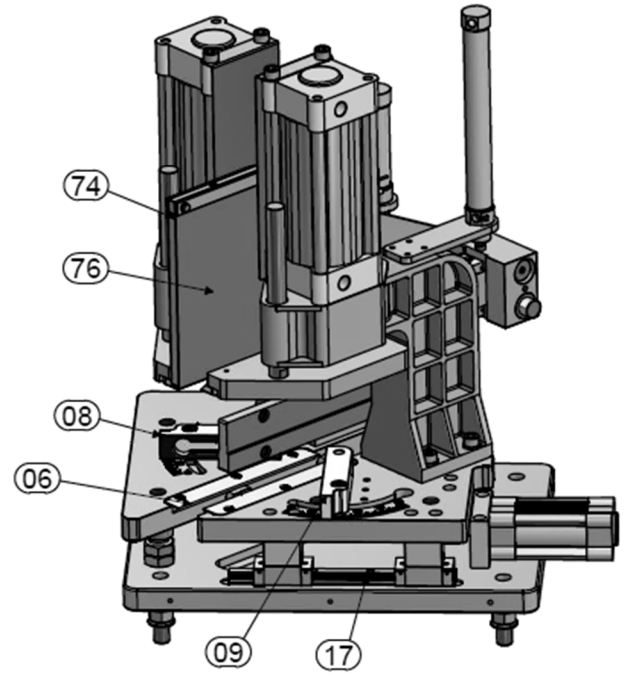
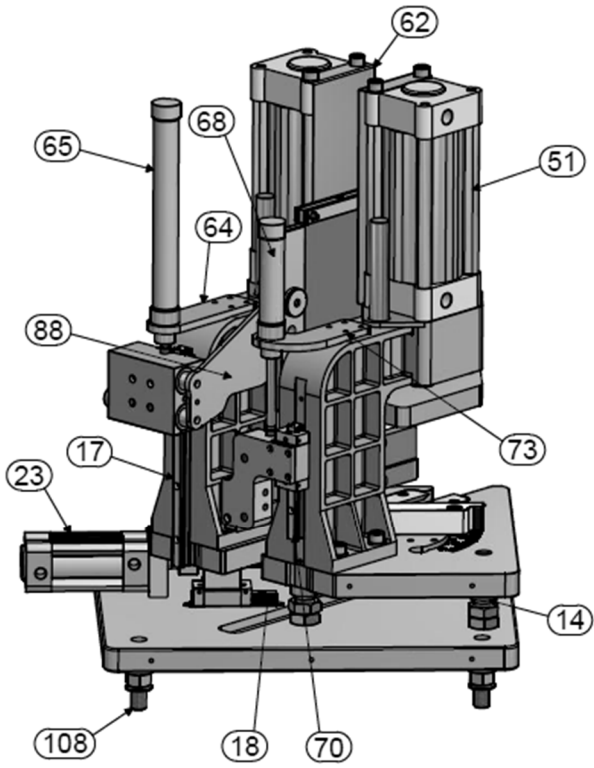


FIGURE-2





NO	CODE	QTY	NO	CODE	QTY
06	2TU011210-0090	8	48	2TU012210-1185	1
08	2TU012210-0554	1	51	1PN020000-0040	4
09	2TU012210-0553	1	64	2TU011441-0861	2
14	2TU011110-1257	6	65	1PN020000-0211	2
17	1SR080000-0131	2	62	2TU011441-0352	2
18	1SR080000-0133	2	68	2TU014010-0024	4
23	1PN020000-0212	2	70	1SR080000-0132	2
29	1PN020000-0016	1	73	2TU011441-0860	2
32	2TU012210-0025	1	74	3UA610010-0001	2
33	2TU015010-0013	2	76	2TU019010-0001	2
35	3UA310030-0035	1	88	2TU011441-0862	2
39	1PL030000-0007	2	108	2TU011110-1256	4

SPARE PARTS LIST			
PART NO	PICTURE	CODE	PART NAME
1		1EL200000-0020	THERMOCOUPLE
2		1EL200000-0124	SENSOR
3		1EL090000-0011	XB4-BW33B5 GREEN LED 24V AC/DC
4		1EL090000-0001	EMERGENCY STOP BUTTON
5		1EL050000-0009	RELAY (OMRON) G3NA-220B/ 5-24V DC
6		1EL050000-0010	H3CR-A8 (TIMER RELAY) (24-48V AC)
7		1EL190000-0078	TEMPERATURE DISPLAY
8		3ST010030-0037	HEATER PLATE