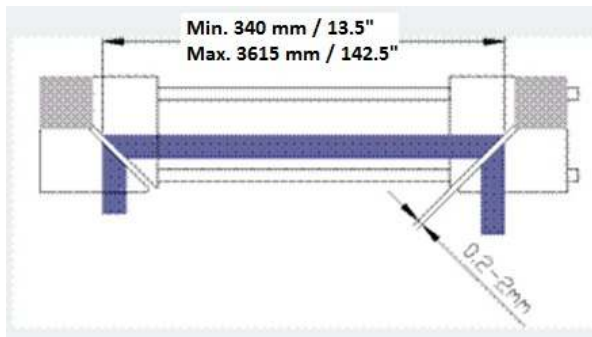
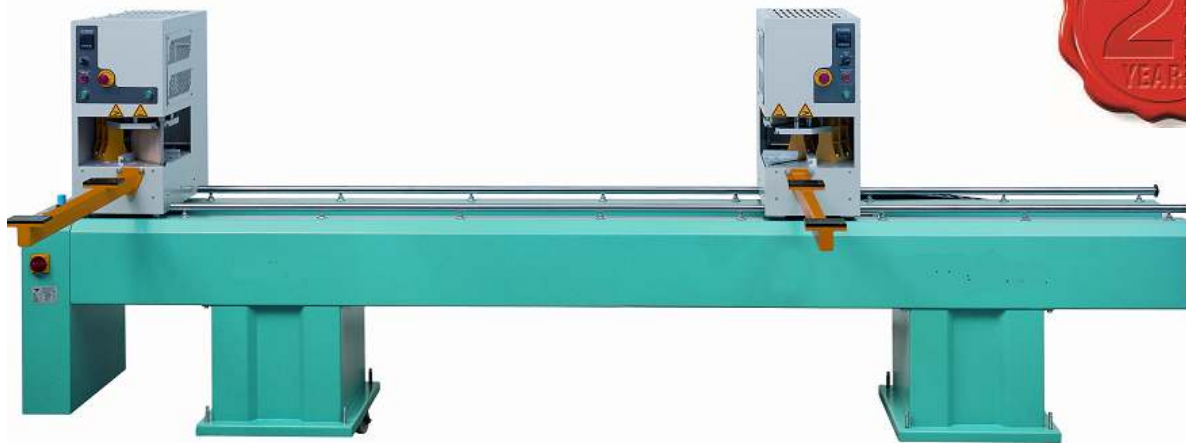


**PHOENIX-02 DH: Automatic Double Head Vinyl (PVC) Welding Machine**



- ✓ Machine has been designed for the joining of vinyl profiles through corner welding
- ✓ Capable of adjusting the clamp and welding pressure according to the profile type
- ✓ Equipped with a timer for melting and welding time
- ✓ The thermostat is electronic and can be adjusted in a temperature range between 0°-260° C
- ✓ The movable head (right head) moves manually. It is equipped with a brake system
- ✓ On the left head it is possible to weld at angles between 30°-180°. The right head is fixed at 90°
- ✓ For safety reasons, the clamp pistons operate with low pressure
- ✓ After clamping the profiles, the welding is carried out automatically
- ✓ The machine has been designed according to CE, UL & CSA Safety Directives
- ✓ Equipped with profile support arms

**Technical Data**

3kW 1-Ph 220V 60Hz	1 CFM	90-120 psi	max h:5.1" b:5.5" (max.) o:15°-180°	W: 30" L: 168" H: 67"	1,500 lbs	1,190 lbs



**ATechMachinery.com**

309 Ridgmont Ave., Rockville, MD 20850 – USA  
 Ph.: +1-240-505-1967 Fax: +1-301-560-6627  
[info@ATechMachinery.com](mailto:info@ATechMachinery.com)