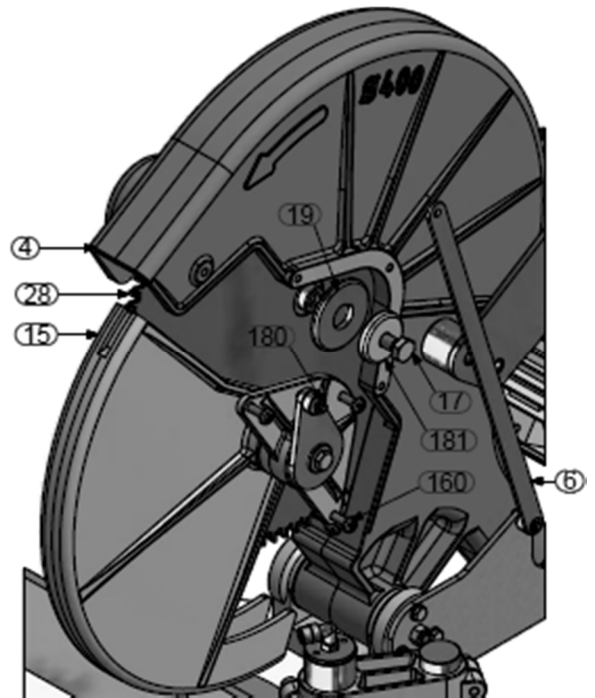
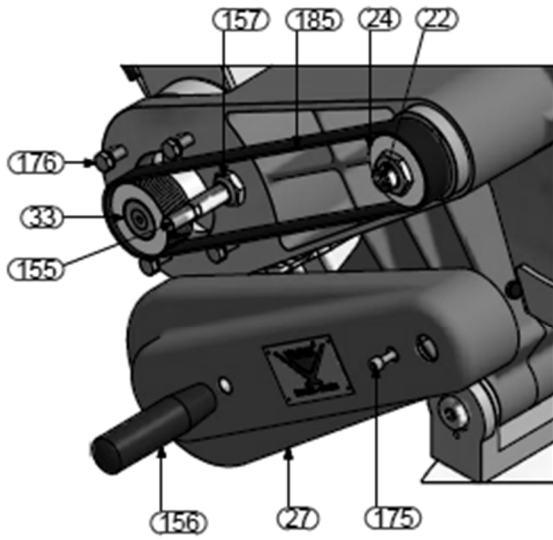
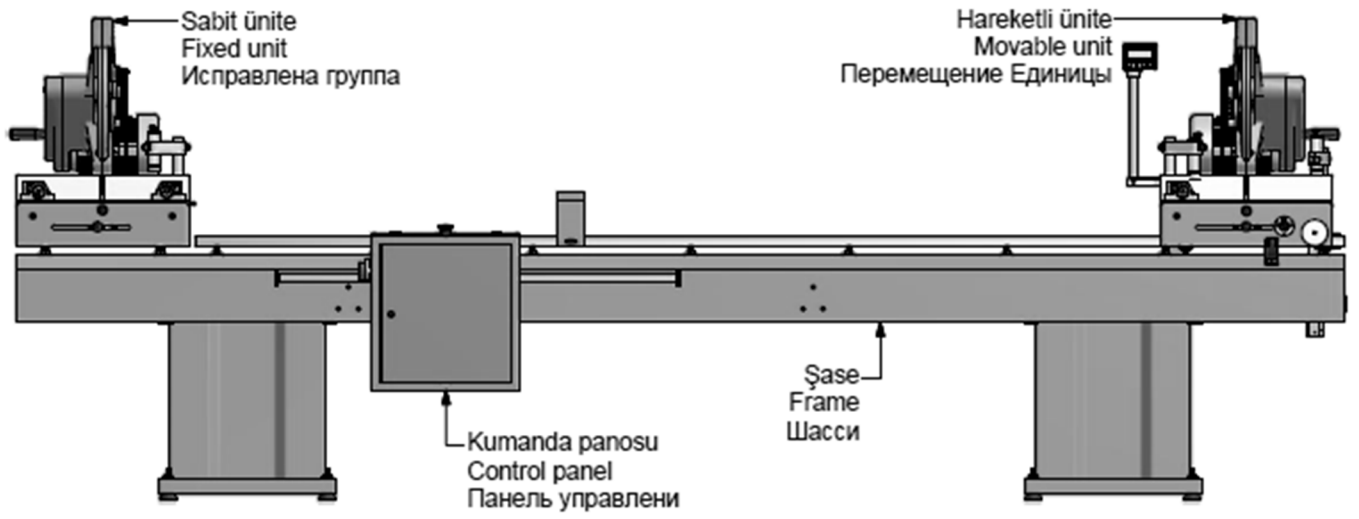
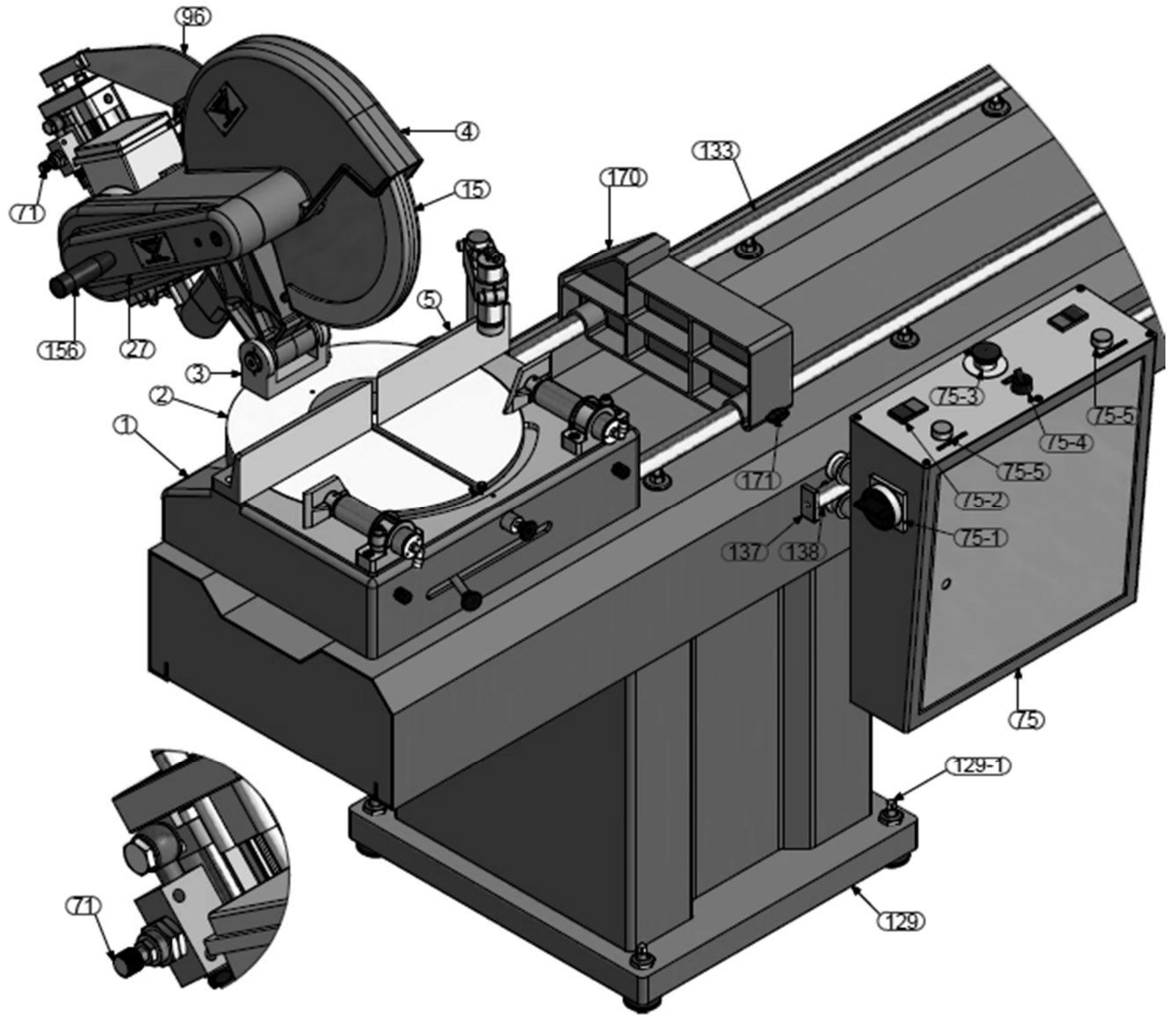
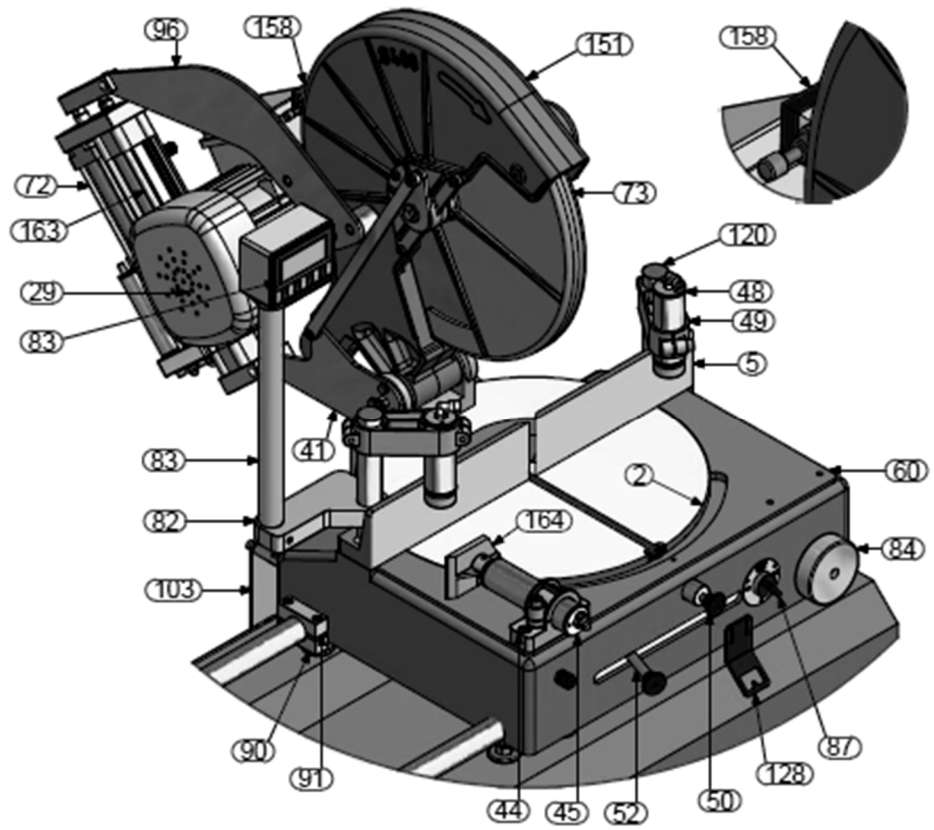


PARTS LIST









NO	CODE	QTY	NO	CODE	QTY
1	2TU012510-0248	1	137	2TU011210-0087	2
2	2TU011610-0009	2	138	2TU014010-0029	1
3	2TU012510-0128	2	151	2TU012510-0373	1
4	2TU012510-0368	1	155	2TU011110-1018	2
5	2TU012510-0202	2	156	1PL010000-0012	2
6	2TU011210-0100	2	157	1SC071000-0017	2
15	2TU012550-0370	1	158	1PN010000-0012	2
17	1SC011000-0002	2	160	1SC041000-0072	6
19	2TU011441-0651	2	163	1PN020000-0017	2
22	2TU011110-0135	2	164	2TU012510-0227	2
24	2TU012110-0030	2	170	2TU012510-0236	1
27	2TU012510-0371	2	171	2TU011110-0145	1
28	1SK010000-0004	2	175	1SC021000-0050	2
29	1EL070001-0001	2	176	1SC011000-0036	8
33	2TU012110-0029	2	180	1SC131000-0006	4
41	2TU011441-0045	2	181	2TU011110-0857	2
44	2TU012610-0051	3	185	1SR070000-0006	2
45	3UA060030-0006	3			
48	3UA060030-0007	3			
49	2TU012610-0012	3			
50	3UA030030-0003	2			
52	2TU011110-0140	2			
60	2TU012510-0247	1			
71	3UA050030-0005	1			
72	3UA050030-0006	1			
73	2TU012510-0369	1			
75	3UA020030-0195	1			
75-01	1EL010000-0043	1			
75-02	1EL090000-0016	2			
75-03	1EL090000-0001	1			
75-04	1PN010000-0050	1			
75-05	1EL090000-0009	2			
82	2TU012210-0074	1			
83	1EL200000-0257	1			
84	2TU012110-0013	1			
87	1PN010000-0050	1			
90	2TU012210-0040	2			
91	2TU012210-0041	2			
96	2TU011441-0280	2			



103	2TU011441-0089	1			
120	2TU011110-0246	1			
128	2TU011441-0521	1			
129	1SA010000-0013	1			
129-1	1SC170000-0001	8			
133	2TU014010-0039	2			