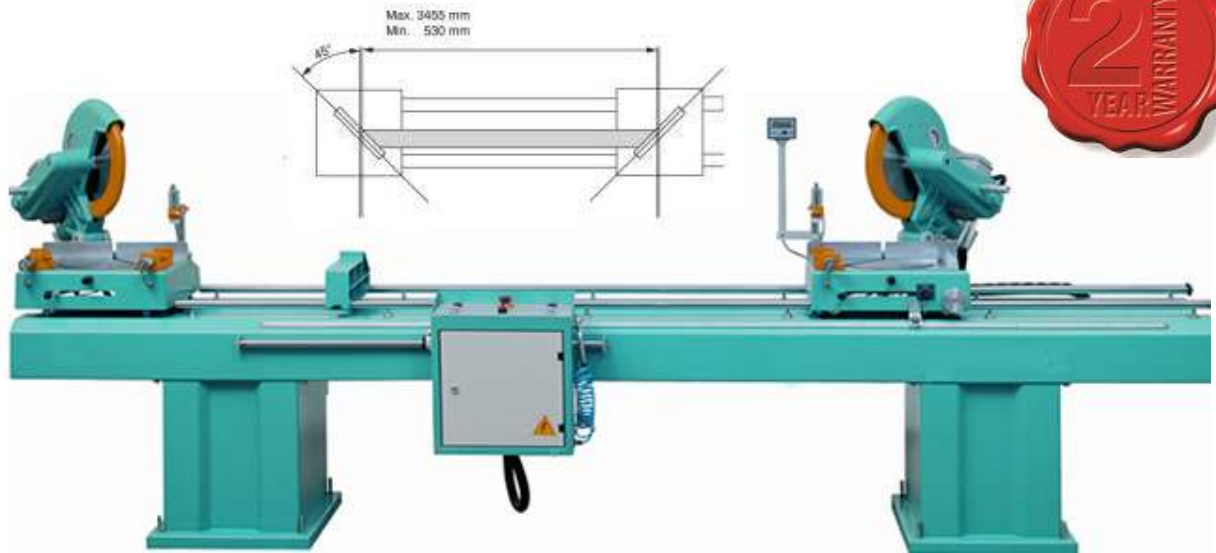


NORMA-02 SA: Semi-Automatic Double Head Saw 16" (400 mm)



Standard Equipment

- ▶Pneumatic twin horizontal clamps
- ▶Air gun
- ▶Digital read-out
- ▶User's manual
- ▶Carbide tipped saw blades 2xø16"

Optional Equipment

- ▶Pneumatic spray mist lubrication



Technical Features

- ▶Semi-automatic miter saw with two circular saws designed for flat or angled cutting of vinyl, aluminum, and wood frames.
- ▶The forward movement of the saw is hydro-pneumatic, and its speed can be adjusted accurately for the frame material.
- ▶The clamps are pneumatic with safety features.
- ▶The left cutting unit is fixed in its position, and the right cutting unit is moved manually to its position.
- ▶The right cutting unit has a pneumatic braking system, and when the braking key is "OPEN", the machine will not work for safety reasons.
- ▶The distance between the cutting heads can be adjusted accurately by a digital reading system.
- ▶The cutting in 15°, 22.5°, 30°, 45° and 90° angles is achieved by a switchblade, and in other angles an accurate free cutting is possible.
- ▶The machine is designed according to CE , UL & CSA Safety Directives.

Technical features and specifications are subject to change without prior notice.

Technical Features						
NORMA-02 SA	2x3 HP 3-Ph. 220V/440V 60 Hz	d=30-32 mm D=16"	3000 rpm	90-120 psi	1 CFM	158"x47"x59" 1,100 lbs

