

PARTS LIST

FIGURE- 2

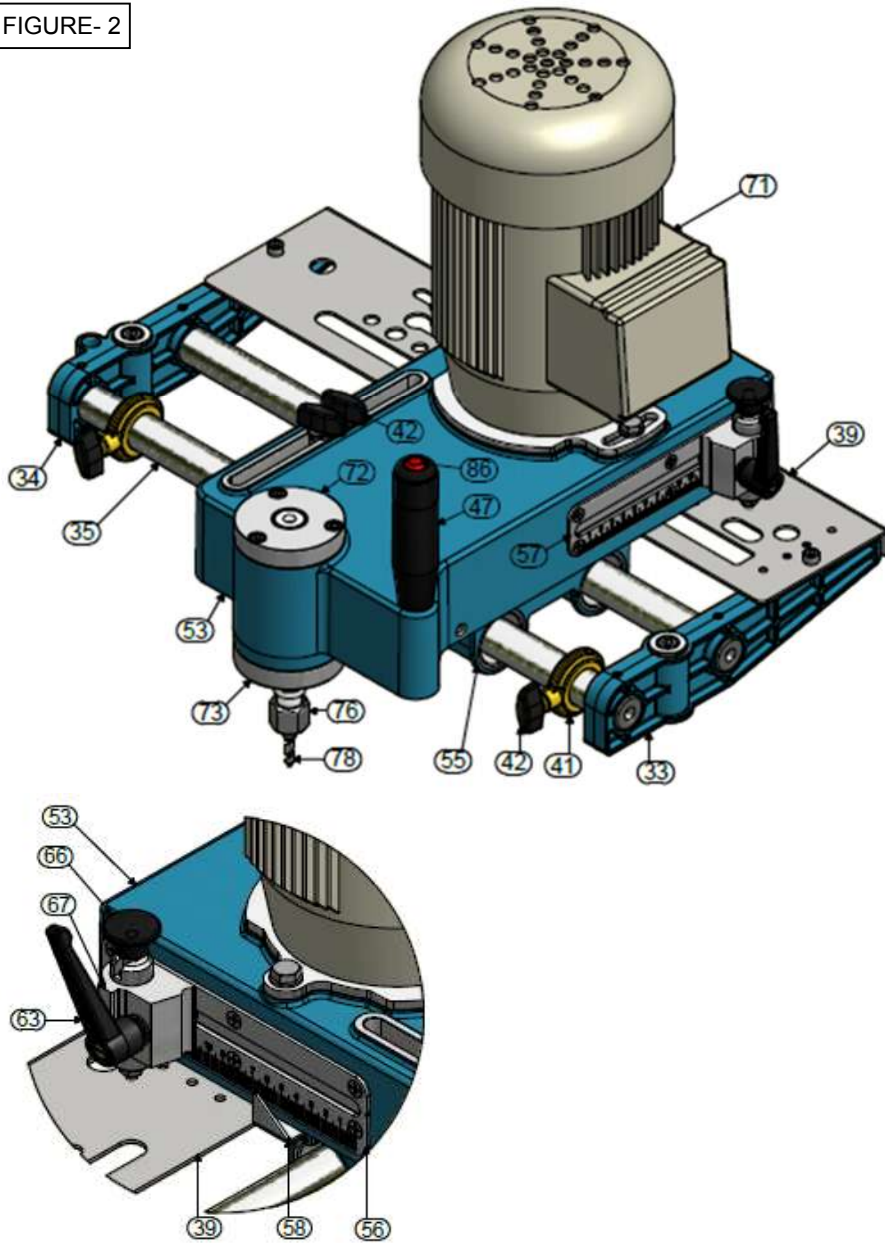
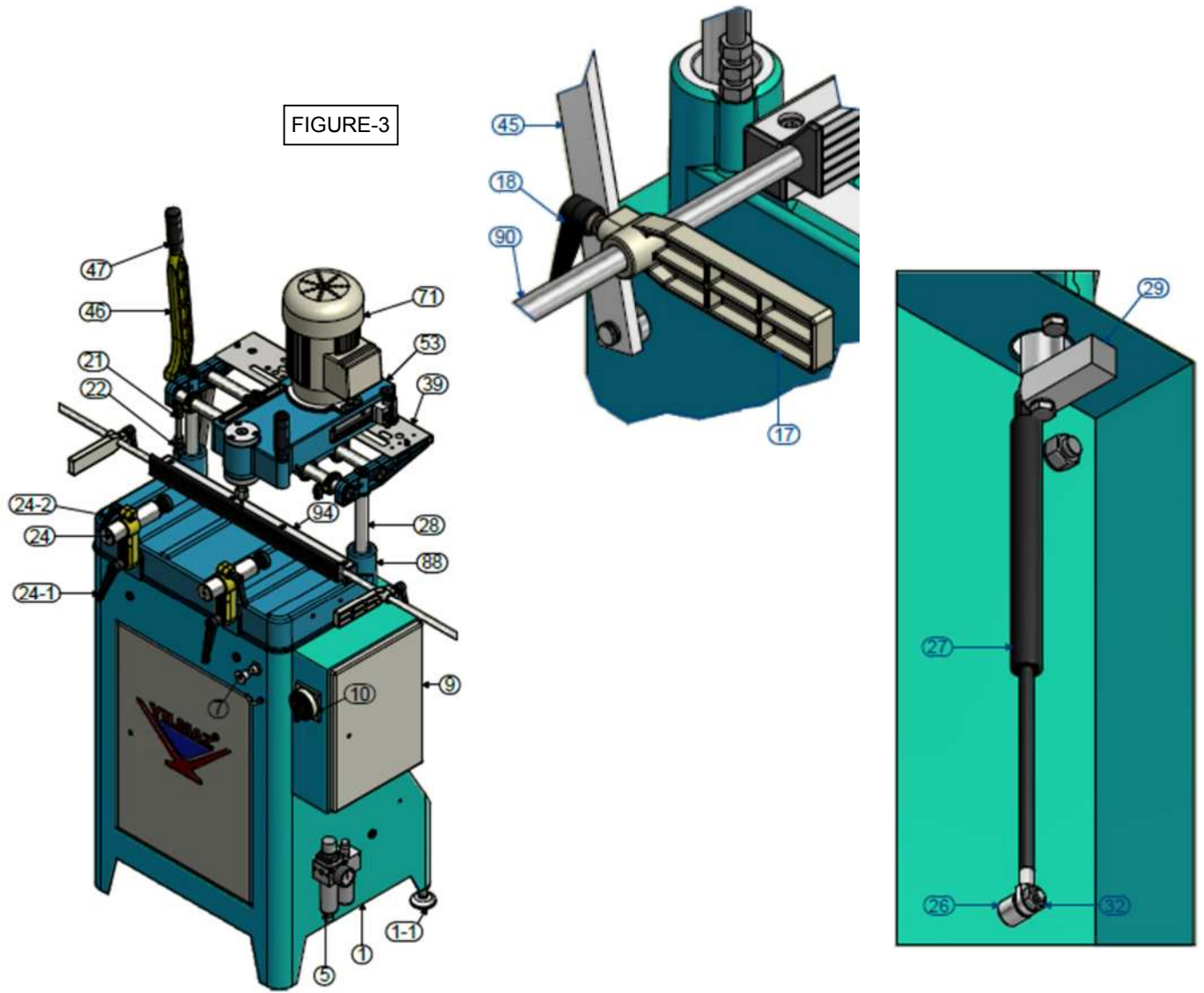


FIGURE-3





NO	CODE	QTY	NO	CODE	QTY
1	1SA010000-0001	1	47	1PL010000-0012	1
5	3UA110030-0025	1	53	2TU012510-0376	1
7	1PN010000-0087	1	55	2TU012610-0058	1
9	1SA040000-0001	1	56	2TU011441-0584	1
10	1EL010000-0043	1	57	2TU011441-0587	1
17	2TU012610-0069	2	58	2TU011441-0586	1
18	3UA040030-0010	2	63	3UA040030-0007	2
21	2TU011110-0106	1	66	3UA030030-0002	2
22	1SC071000-0002	3	67	2TU012310-0075	2
24	3UA060030-0004	2	71	1EL070001-0004	1
26	2TU011110-0109	1	72	2TU012610-0072	1
27	1YY030000-0009	1	73	2TU012610-0073	1
28	2TU015010-0006	2	76	2TU011210-0014	1
29	2TU011210-0259	1	78	1SK050000-0001	1
32	1SC071000-0013	1	85	1PL010000-0012	1
35	2TU015010-0008	2	86	1EL090000-0060	1
39	2TU011410-0025	1	88	2TU012510-0048	1
41	2TU012610-0061	1	90	2TU011110-0101	2
42	2TU011110-0146	4	94	2TU012310-0008	1
46	2TU012510-0065	1			



SPARE PARTS LIST			
PART NO	PICTURE	CODE	PART NAME
24		2TU012610-0009 / 0053 (FR 220) 2TU012610-0010 / 0054 (FR 221)	CLAMP BRACKET
24		3UA060030-0004 (FR 221)	PNEUMATIC CLAMP
24		3UA280030-0001 (FR 220)	MECHANIC CLAMP
24-1		1PL010000-0033	CLAMP TIP
24-1		3UA040030-0007	M8x32 HANDLE
24-2		3UA040030-0002	M12*60 HANDLE
71		1EL070001-0003 (230V-1P 50 Hz) 1EL070001-0027 (240V-1P 50 Hz) 1EL070001-0004 (400V-415 V 3P 50 Hz) (440V-3P 60 Hz)	MOTOR
72		2TU012610-0072	BEARING MOUNTING BRACKET (TOP)
73		2TU012610-0073	BEARING MOUNTING BRACKET (BOTTOM)
		1SR010000-0005	6204 BEARING

		1SR070000-0002	MOTOR BELT
27		1YY030000-0009	GAS SPRING
66		3UA030030-0002	TRACER PIN
78		1SK050000-0001	ROUTER BIT
		1PN010000-0012	MIST SPRAY VALVE
5		3UA110030-0020	AIR CONDITIONER