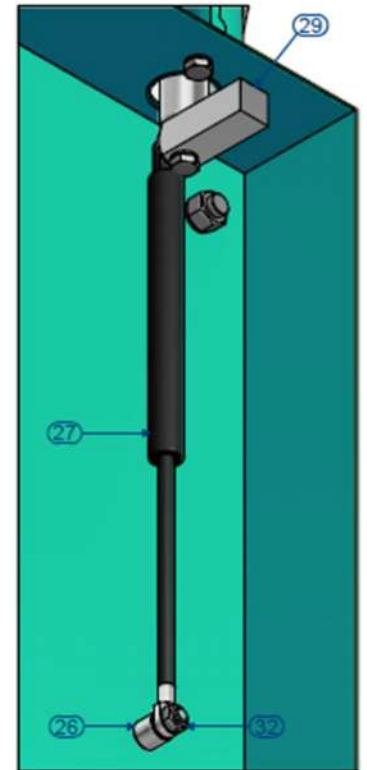
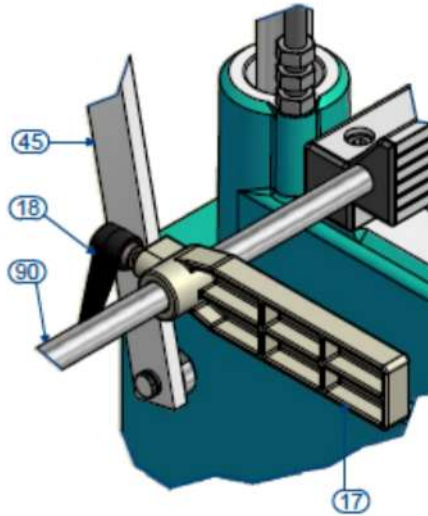
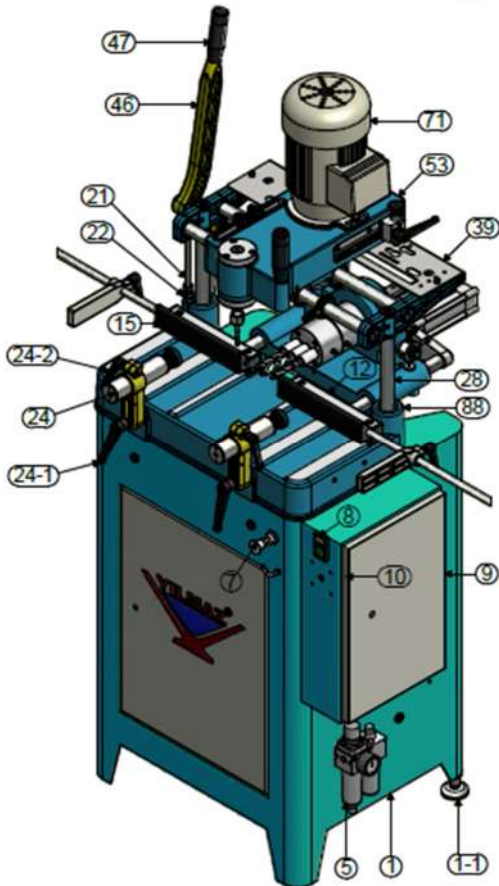
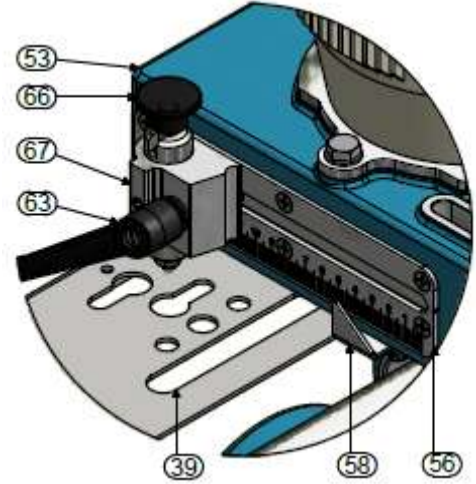
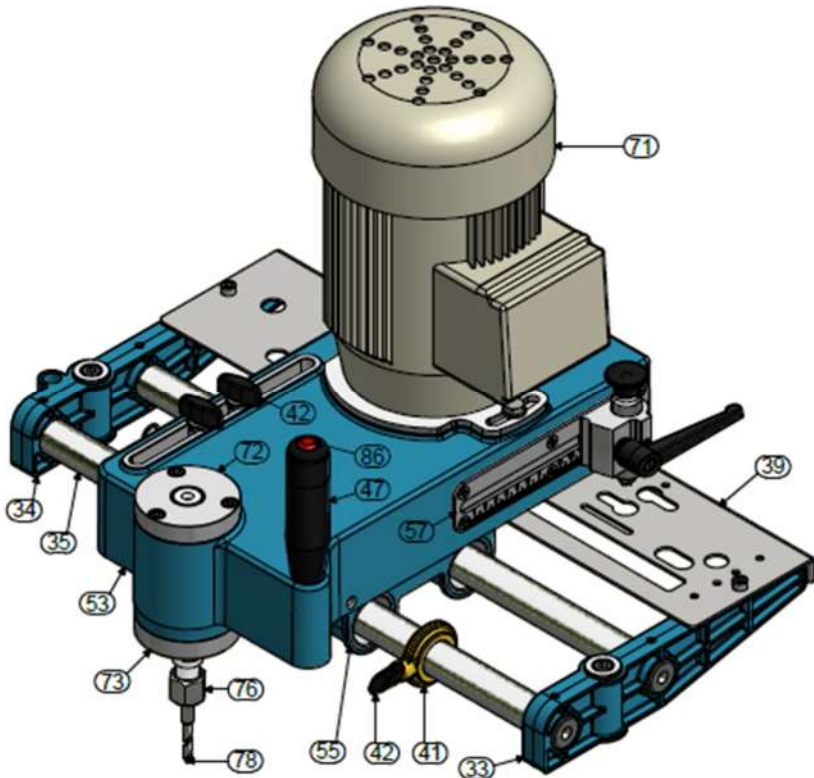
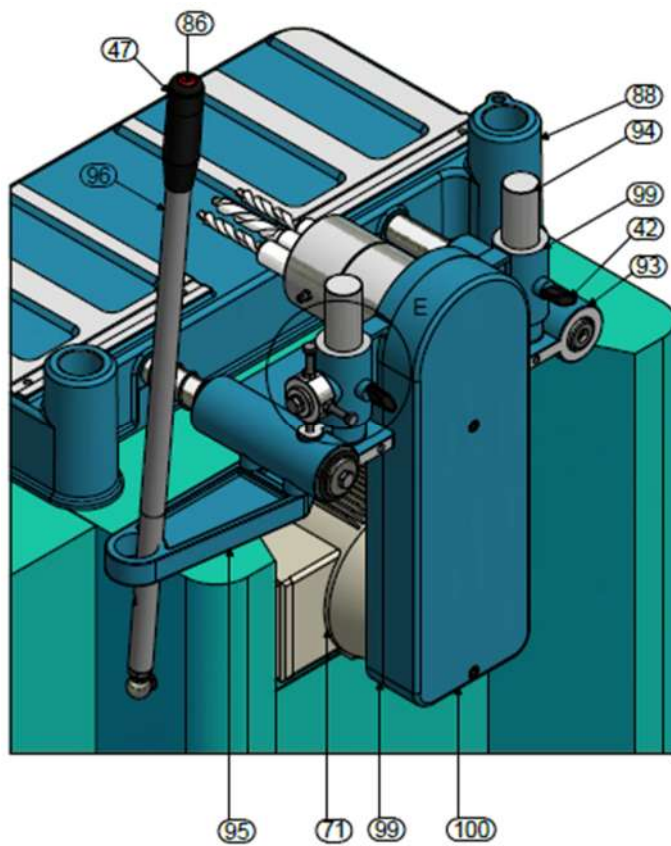
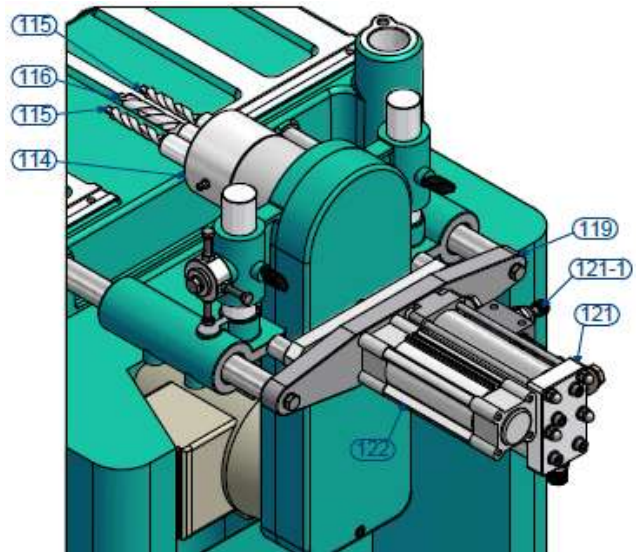
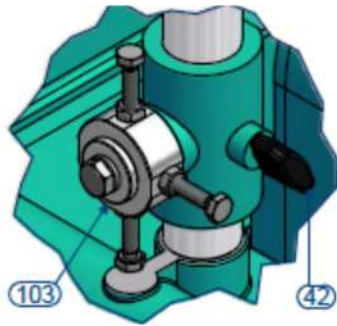


PARTS LIST







NO	STOCK CODE	QTY	NO	STOCK CODE	QTY
1	1SA010000-0032	1	57	2TU011441-0587	1
5	3UA110030-0025	1	58	2TU011441-0586	1
7	1PN010000-0087	1	63	3UA040030-0007	2
8	1EL090000-0012	1	66	3UA030030-0002	2
9	1SA040000-0020	1	67	2TU012310-0075	2
10	1EL010000-0043	1	71	1EL070001-0004	1
12	2TU012310-0004	1	72	2TU012610-0072	1
15	2TU012310-0009	1	73	2TU012610-0073	1
17	2TU012610-0069	2	76	2TU011210-0014	1
18	3UA040030-0010	2	78	1SK050000-0004	1
21	2TU011110-0099	1	85	1PL010000-0012	1
22	1SC071000-0002	3	86	1EL090000-0060	2
24	3UA060030-0004	2	88	2TU012510-0048	1
26	2TU011110-0109	1	90	2TU011110-0101	2
27	1YY030000-0009	1	93	2TU012510-0254	1
28	2TU015010-0027	2	94	2TU014010-0047	2
29	2TU011210-0259	1	95	2TU012510-0069	1
32	1SC071000-0013	1	96	2TU011110-0250	1
33	2TU012610-0056	1	99	2TU012510-0255	1
34	2TU012610-0057	1	100	2TU012510-0256	1
35	2TU015010-0008	2	103	2TU011110-0116	1
39	2TU011410-0025	1	114	3UA210030-0003	1
41	2TU012610-0061	1	115	1SK040000-0004	2
42	2TU011110-0146	4	116	1SK040000-0005	1
46	2TU012510-0065	1	119	2TU012210-0073	1
47	1PL010000-0012	2	121	3UA050030-0011	1
53	2TU012510-0376	1	122	1PN020000-0159	1
55	2TU012610-0058	1			
56	2TU011441-0584	1			



SPARE PARTS LIST			
PART NO	PICTURE	CODE	PART NAME
24		2TU012610-0010 / 0054	CLAMP PISTON BRACKET
24		3UA060030-0004	PNEUMATIC CLAMP
24-1		1PL010000-0033	CLAMP TIP
24-1		3UA040030-0007	M8x32 HANDLE
24-2		3UA040030-0002	M12*60 HANDLE
71		1EL070001-0003 (230V-1P 50 Hz) 1EL070001-0027 (240V-1P 50 Hz) 1EL070001-0004 (400V-415 V 3P 50 Hz) (220V/440V-3P 60 Hz)	MOTOR
72		2TU012610-0072	BEARING BRACKET (TOP)
73		2TU012610-0073	BEARING BRACKET (BOTTOM)
		1SR010000-0005	6204 BEARING
		1SR070000-0002	MOTOR BELT



27		1YY030000-0009	GAS SPRING
66		3UA030030-0002	TRACER PIN
78		1SK050000-0004	ROUTER BIT
		1PN010000-0012	MIST SPRAY VALVE
121		3UA050030-0011	PISTON
122		1PN020000-0159	HYDRO-PNEUMATIC CYLINDER
5		3UA110030-0020	AIR CONDITIONER