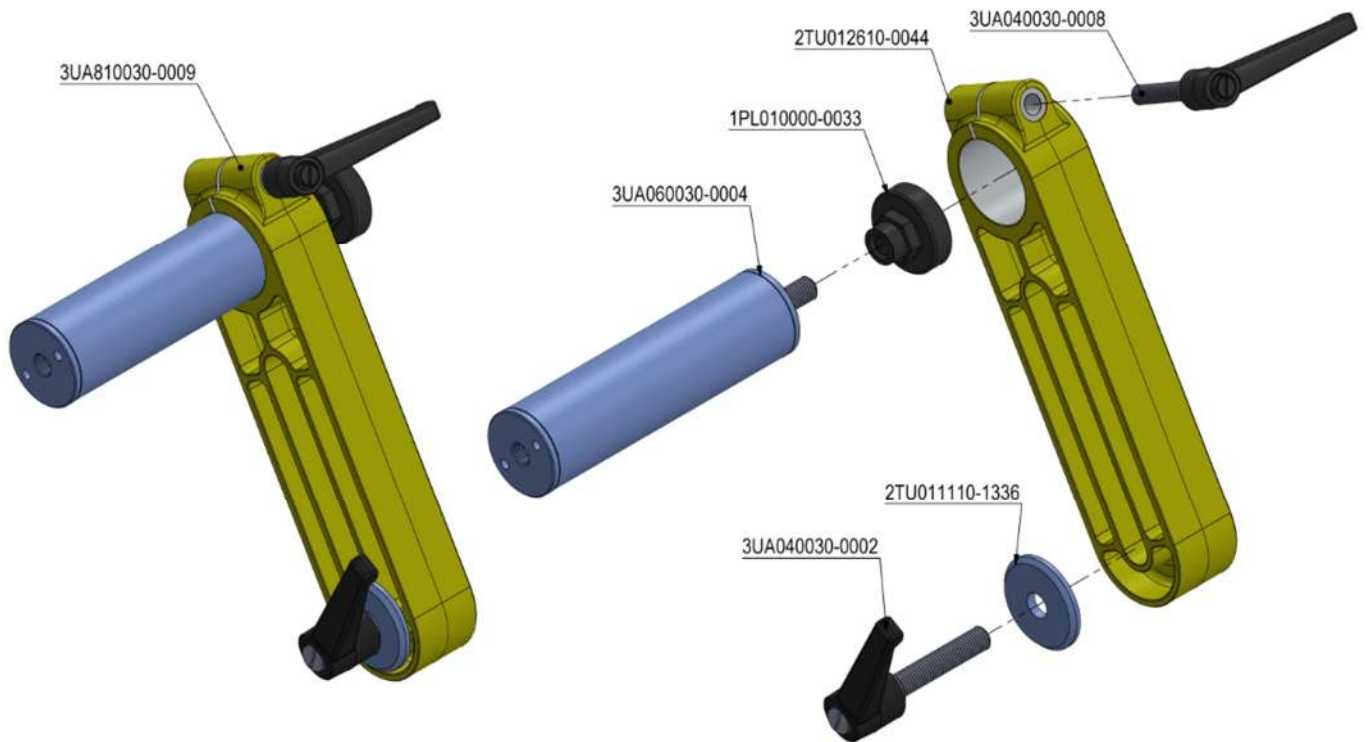
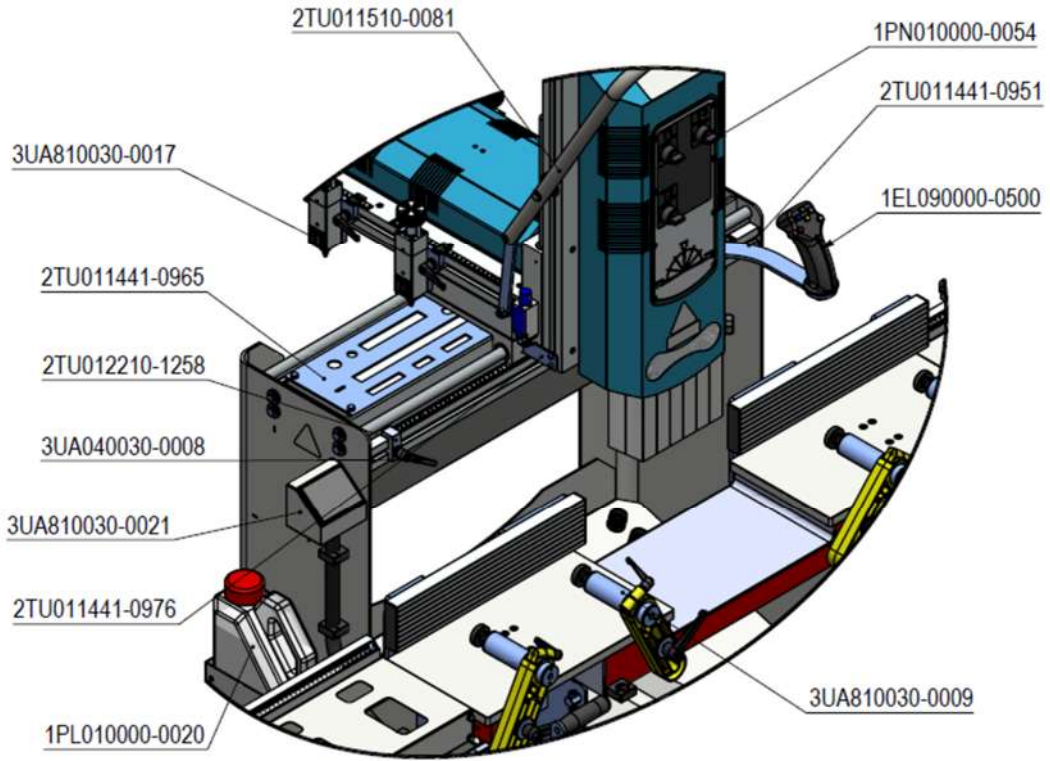
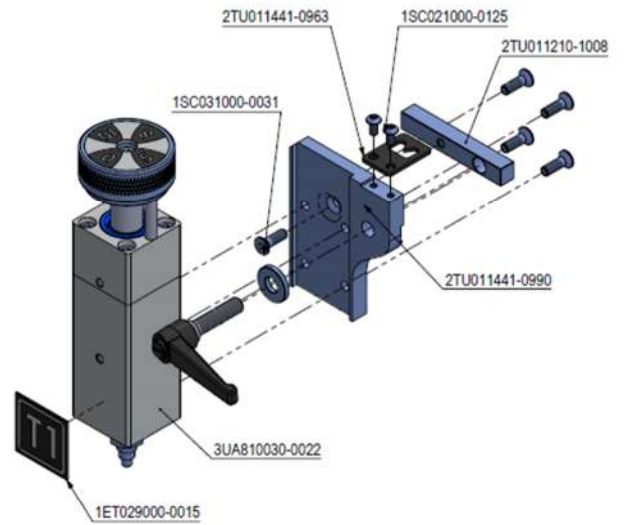
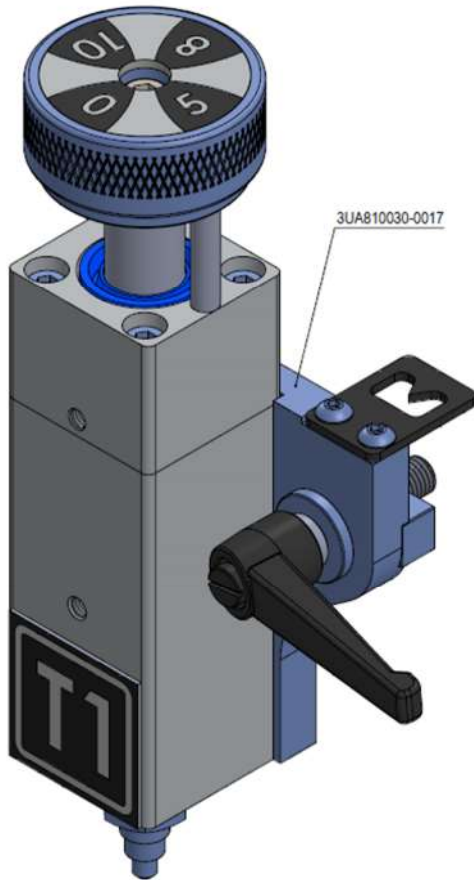
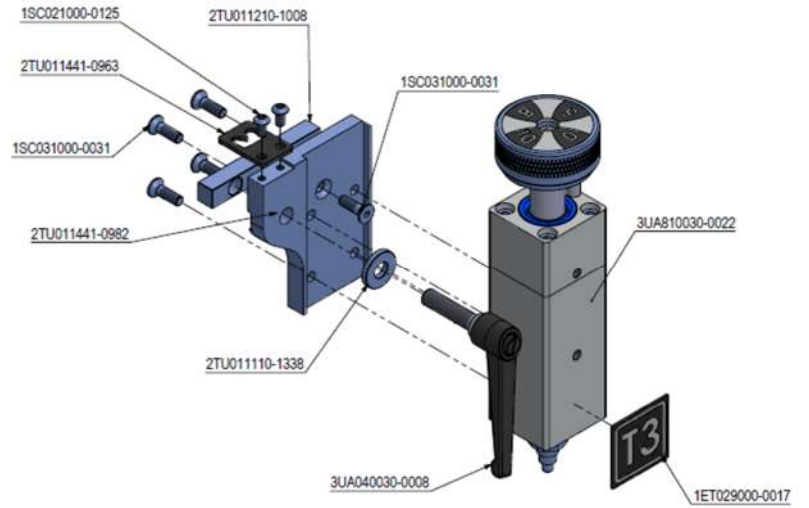
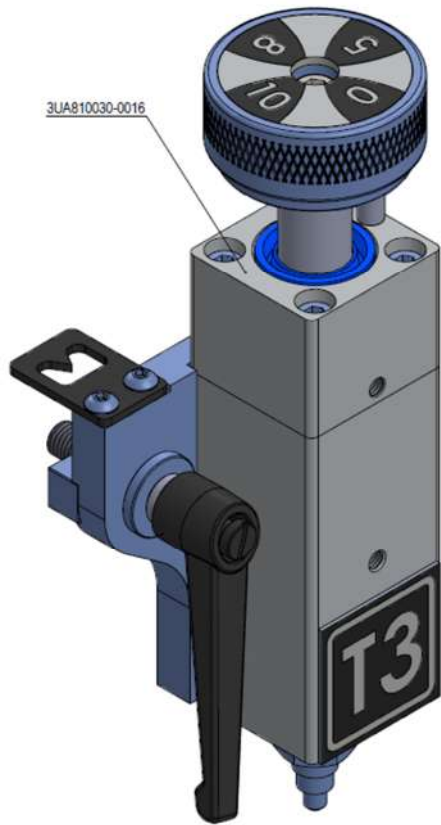
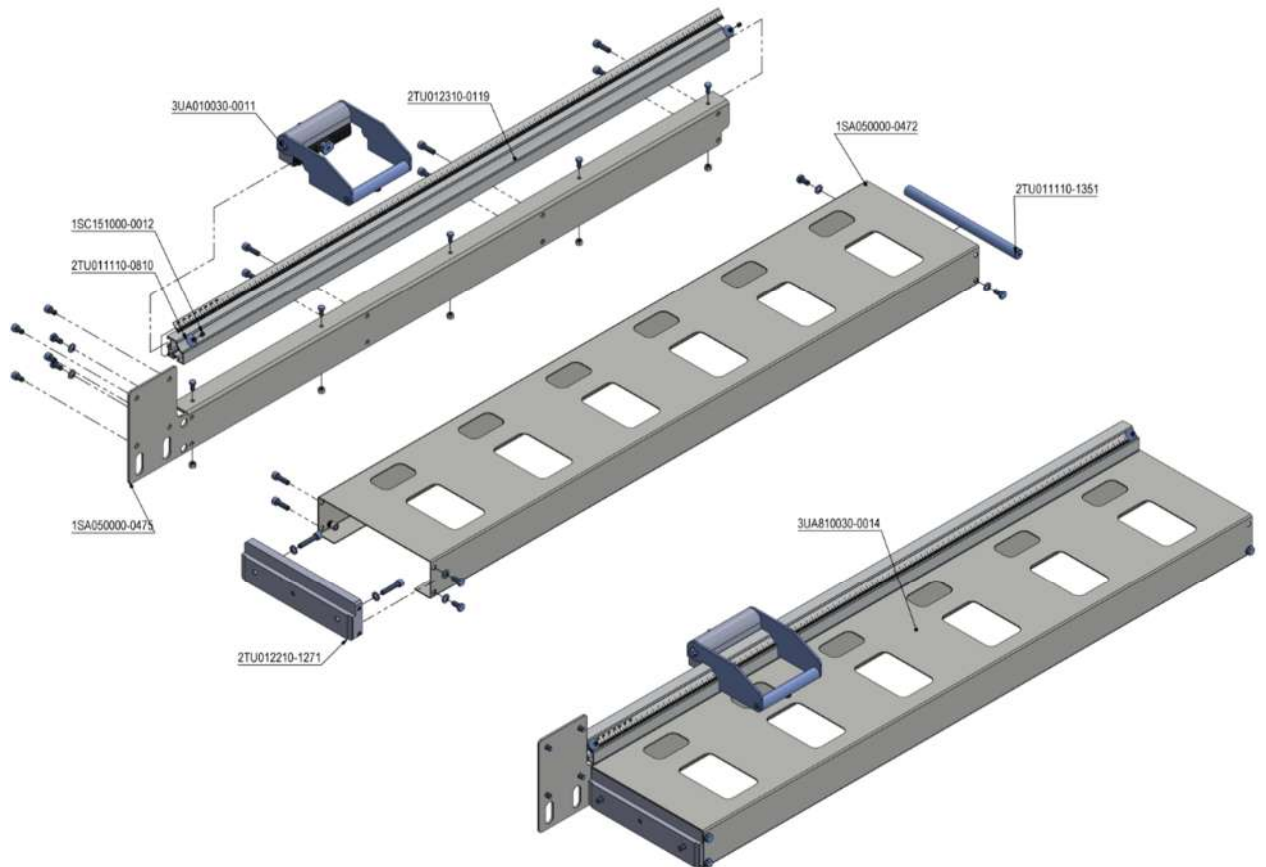
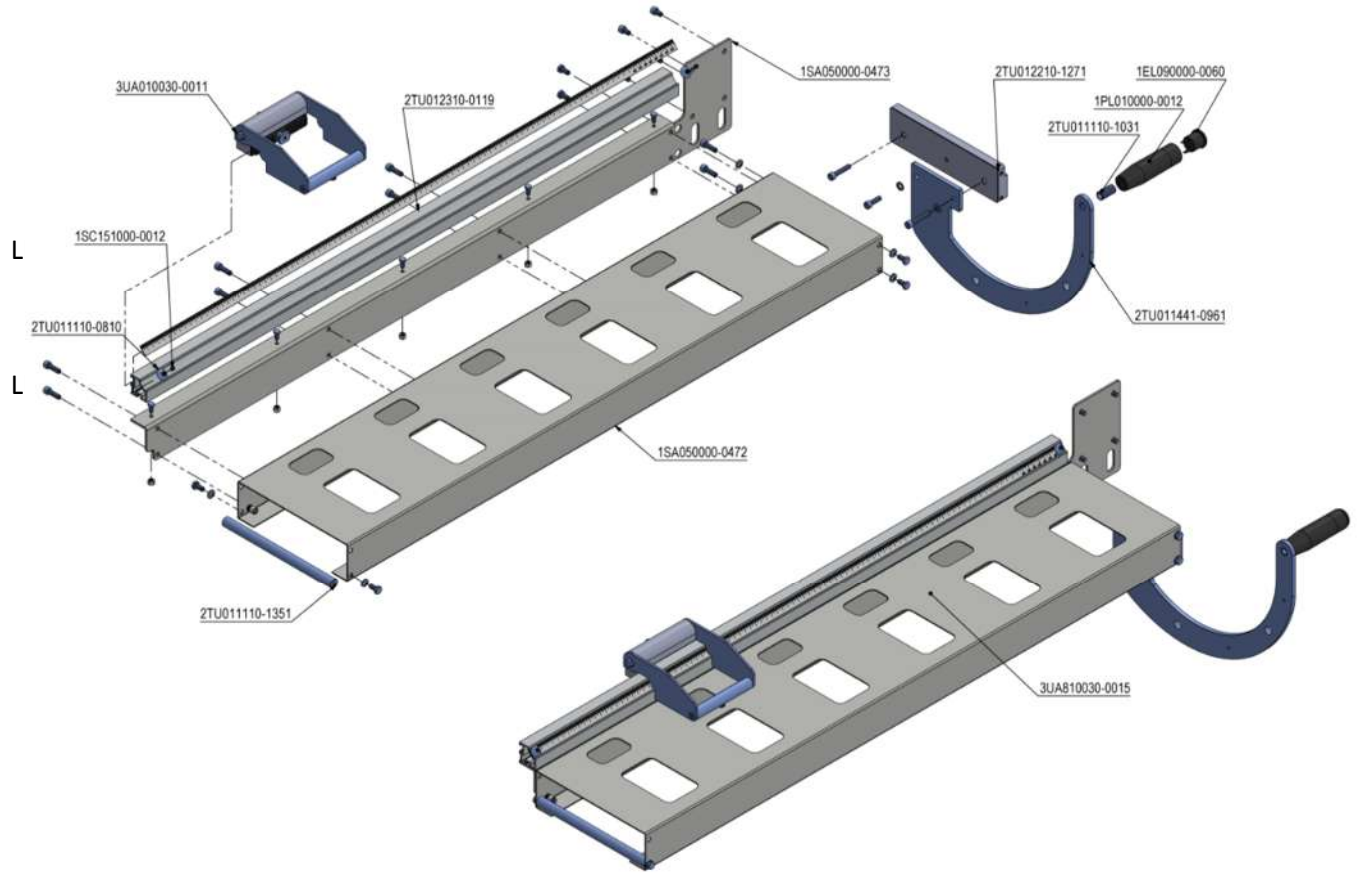
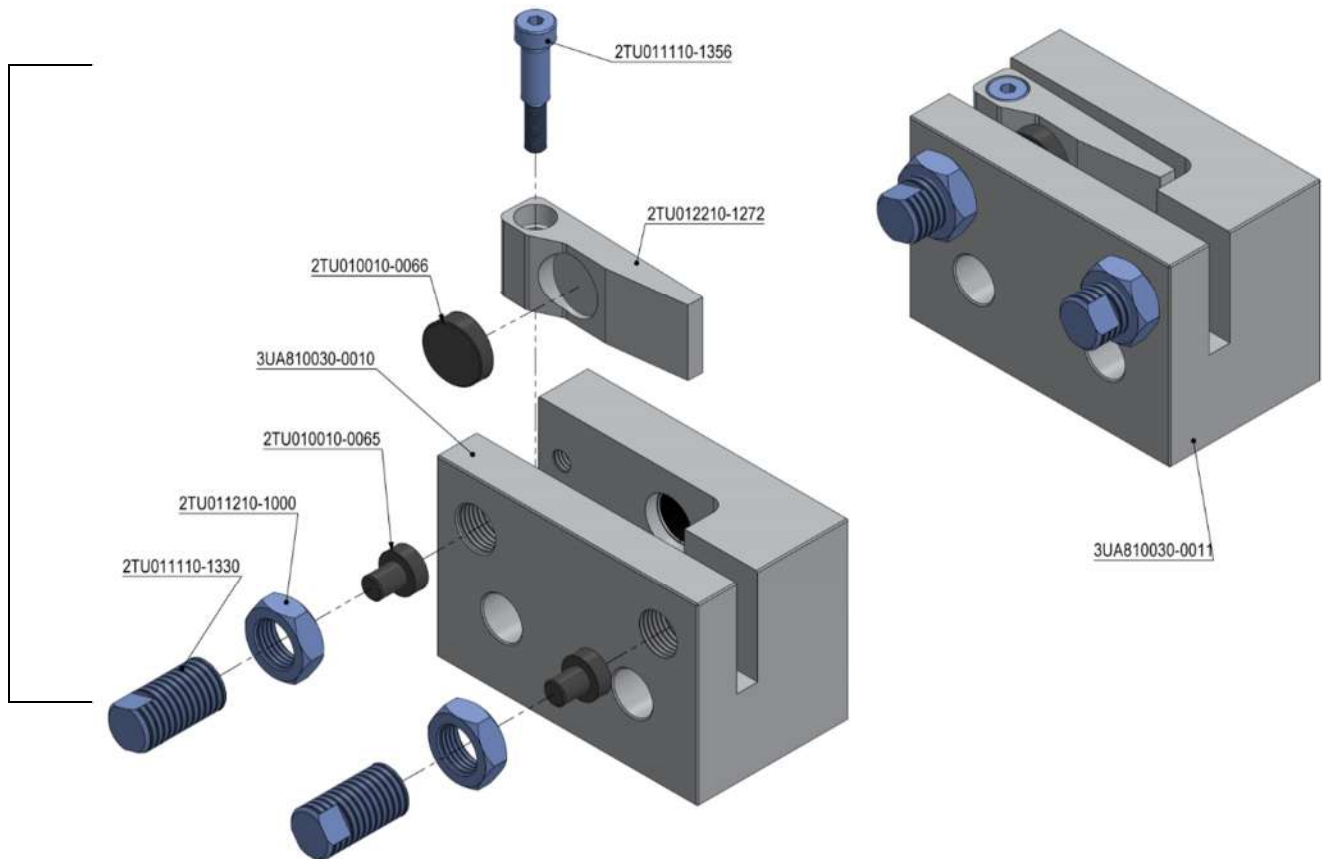
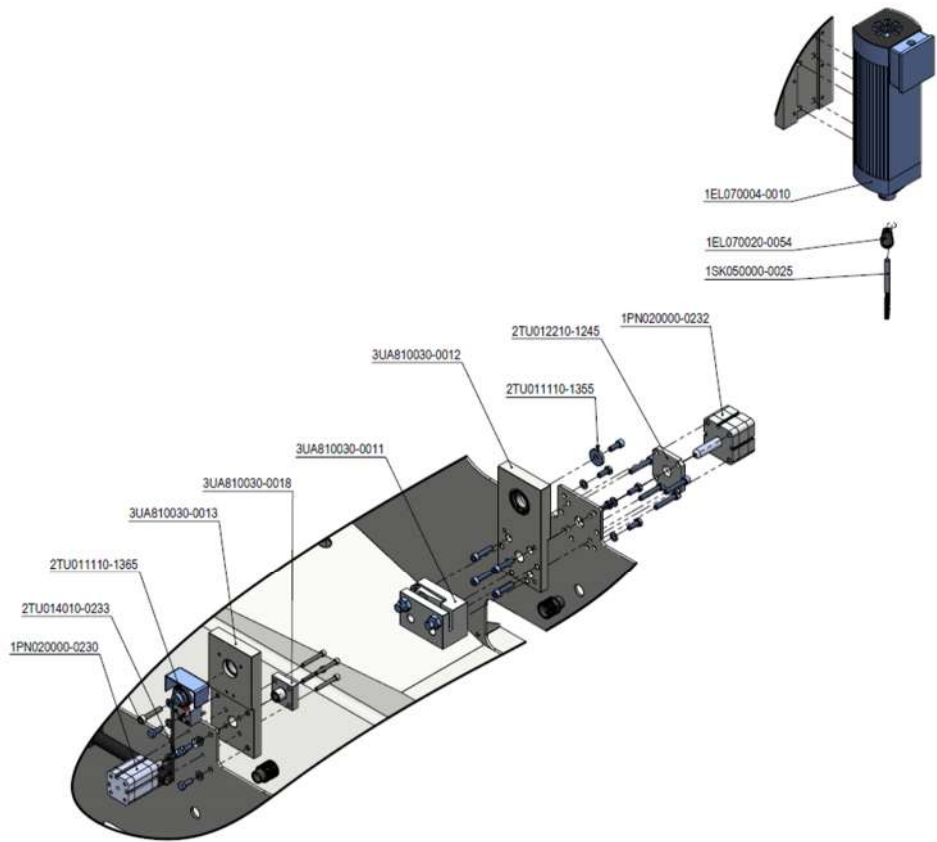


PARTS LIST





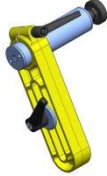





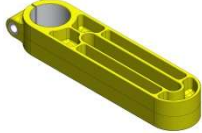
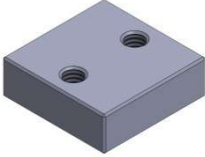

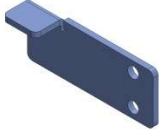









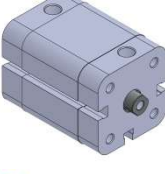









PART NO	PICTURE	CODE	PART NAME
1		3UA810030-0017	TEMPLATE LEFT PISTON ASSEMBLY
2		3UA810030-0016	TEMPLATE RIGHT PISTON ASSEMBLY
3		3UA810030-0015	LEFT SUPPORT MOUNTING
4		3UA810030-0014	RIGHT SUPPORT MOUNTING
5		3UA810030-0011	BRAKING BLOCK
6		3UA810030-0009	CLAMP ASSEMBLY
7		3UA810030-0008	HANDLE 3 M8*32
8		3UA810030-0002	HANDLE 1 (M10*50)
9		3UA810030-0011	KN 152 SUPPORT- SEMI/COMPLETE
10		2TU014010-0233	SUPPORT SHAFT

11		2TU012610-0044	CLAMP PISTON BRACKET
12		2TU012210-1281	SWITCH NUT
13		2TU012210-1258	FIXING PLATE
14		2TU011441-0976	LIMITING SHEET
15		2TU011441-0975	SPRAY MIST CONNECTION PLATE
16		2TU011441-0960	ANGLE STOPPER CONNECTION PLATE
17		2TU011210-1007	TRACER PIN
18		2TU011110-1345	JOYSTICK FIXING BOLT
19		1YY030000-0011	GAS SPRING
20		1PN020000-0232	PISTON PK-A 50x5

21		1PN020000-0231	PISTON PK-A 32x5
22		1PN020000-0230	PISTON PK-A 32x25
23		1PN010000-0012	MIST SPRAY
24		1EL090000-0500	JOYSTICK ARM
25		1EL070004-0010	MOTOR 2.2Kw 12000
26		1EL020000-0005	SWITCH
27		1SK050000-0025	Ø8.0*50 L120-8 Z1 CARBIDE FLEX-SINGLE PORT