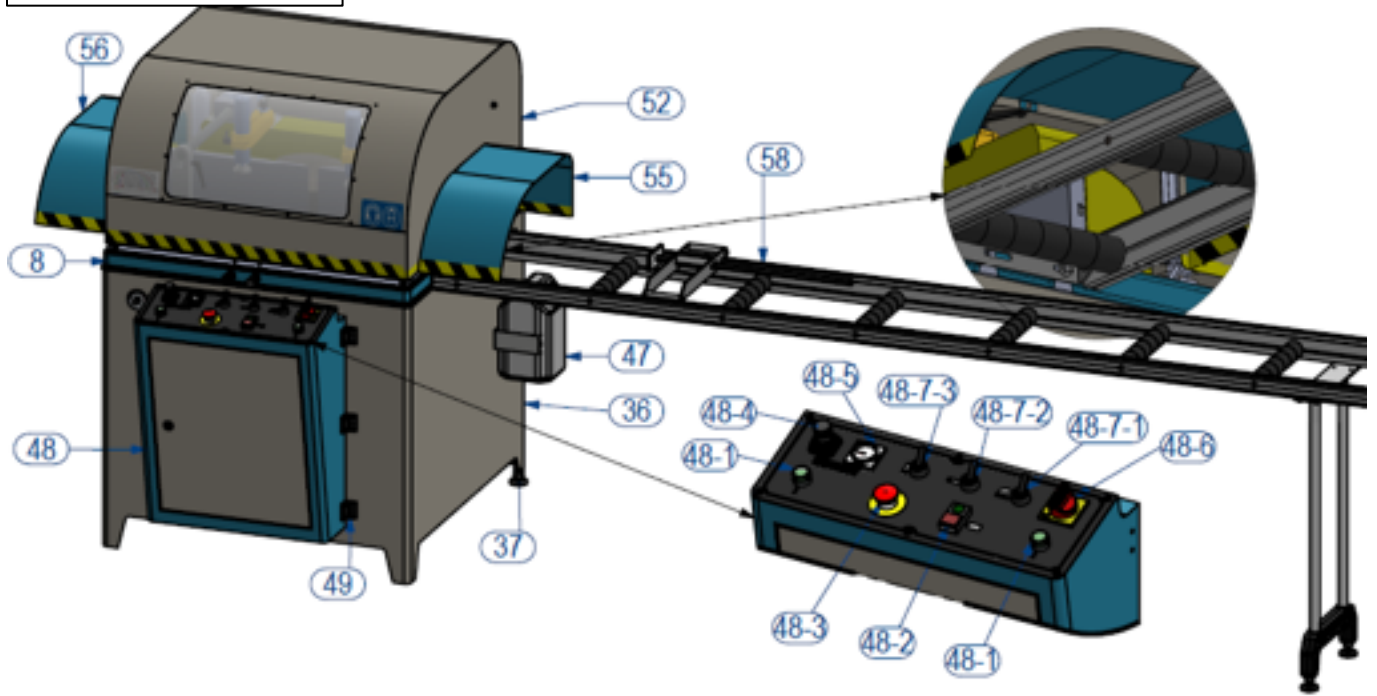
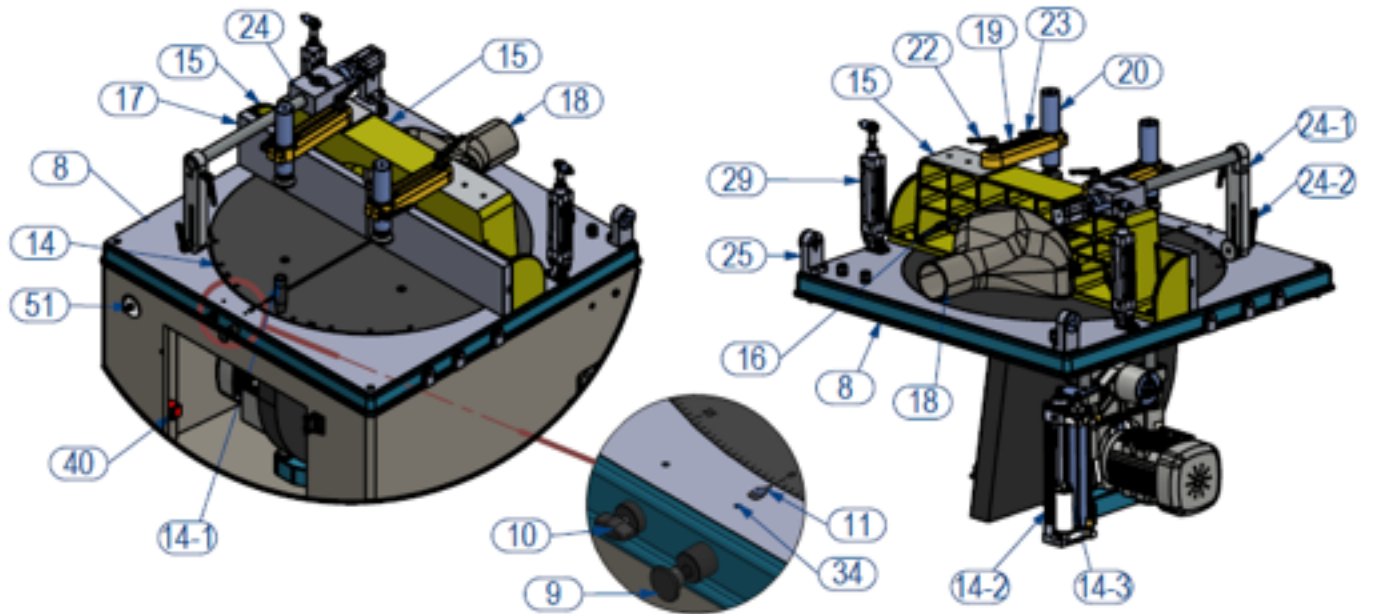


PARTS LIST

RESIM-FIGURE-РИСУНОК 1

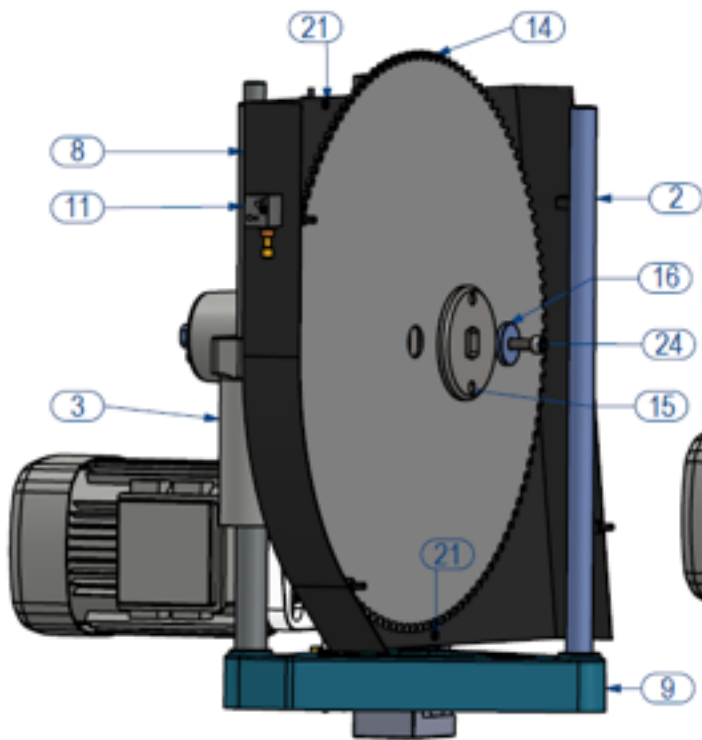


RESIM-FIGURE-РИСУНОК 2

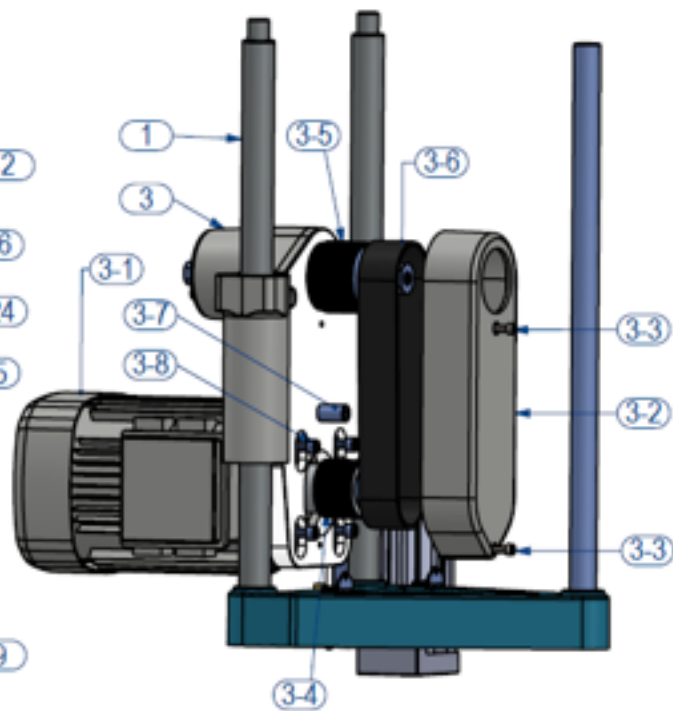


NO	STOCK CODE	QTY K	NO	STOCK CODE	QTY
8	2TU012510-0553	1	29	1PN020000-0253	2
9	3UA030030-0005		34	1SC151000-0003	2
10			36	1SA010000-0084	1
11	2TU011441-0017		37	1SC170000-0007	2
14	2TU011610-0019	1	40	1EL020000-0016	1
14-1	1PL010000-0076	1	47	1PL010000-0019	1
14-2	1PN020000-0249	1	48	3UA850030-0100	1
14-3	3UA050030-0024	1	48-1	1EL090000-0003	2
15	2TU012510-0550	1	48-2	1EL090000-0017	1
16	3UA040030-0011	2	48-3	1EL090000-0001	1
17	2TU012410-0199	2	48-4	1PN010000-0102	1
18	2TU012510-0554	1	48-5	1PN080000-0006	1
19	2TU012510-0190	2	48-6	1PN010000-0055	1
20	3UA460030-0016	2	48-7	1EL010000-0051	3
22	3UA040030-0001	2	49	1SC140000-0006	3
23	3UA040030-0005	2	51	1HD050000-0001	1
24	3UA850030-0005	1	52	1SA030000-0116	1
24-1	2TU012210-1480	1	55	1SA030000-0116_1	1
24-2	3UA040030-0002	1	56	1SA030000-0116_1	1
25	2TU012210-1477	2	58	4UN300030-0003	1

RESİM-FIGURE-РИСУНОК 3




RESİM-FIGURE-РИСУНОК 4



NO	STOCK CODE	QTY	NO	STOCK CODE	QTY
1	2TU015010-0117	2	14	1SK010000-0046	1
2	2TU011110-1417	1	15	2TU011110-0982	1
3	3UA850030-0002	1	16	2TU011110-0986	1
3-1	1EL070001-0006	1	21	1SC041000-0011	4
3-2	2TU012510-0552	1	24	1SC021000-0041	1
3-3	1SC021000-0020	2			

3-4	2TU012110-1062	1			
3-5	2TU011110-1418	1			
3-6	1SR070000-0032	1			
3-7	2TU011110-1027	1			
3-8	1SC021000-0024	1			
8	1SA030000-0117	1			
9	2TU012510-0551	1			
11	1PN010000-0012	1			

SPARE PART LIST			
PART NO	FIGURE	CODE П	PART NAME
40		1EL020000-0016	GUARD SWITCH

48-2		1EL090000-0017	START-STOP SWITCH
48-3		1EL090000-0001	EMERGENCY STOP BUTTON
48-7		1PN010000-0051	TOGGLE SWITCH
17		2TU012410-0199	MOVING BACK FENCE
19		2TU012510-0190	CLAMP MOUNTING BRACKET
20		3UA046030-0016	PNEUMATIC CLAMP PISTON
14-2		1PN020000-0249	PISTON (PNY-AY 50x220)
14-3		3UA050030-0024	HYDRO-PNEUMATIC CYLINDER SET
29		1PN020000-0253	PISTON (DMC-A 32x110)

		3UA110030-0020	AIR CONDITIONER
		1PN010000-0012	COOLANT SPRAY VALVE
		1PN140000-0005	1/8-6 FITTING
3-1		1EL070001-0006 (230V-1P 50 Hz)	MOTOR
3-6		1SR070000-0032	MOTOR BELT
		1SK010000-0046	SAW BLADE
49		1SC140000-0006	HINGE
22		3UA040030-0001	M12*60 HANDLE
23		3UA040030-0005	M8*45 HANDLE
